



CONTENTS

1. SAFETY INFORMATION.....	2
2. SAFETY INSTRUCTIONS.....	4
3. OPERATION.....	5
4. FIRST USE.....	8
5. DAILY USE.....	8
6. HINTS AND TIPS.....	10
7. CARE AND CLEANING.....	11
8. TROUBLESHOOTING.....	13
9. INSTALLATION.....	15
10. NOISES.....	17
11. TECHNICAL INFORMATION.....	18

WE'RE THINKING OF YOU

Thank you for purchasing an Electrolux appliance. You've chosen a product that brings with it decades of professional experience and innovation. Ingenious and stylish, it has been designed with you in mind. So whenever you use it, you can be safe in the knowledge that you'll get great results every time.

Welcome to Electrolux.

Visit our website for:



Get usage advice, brochures, trouble shooter, service information:

www.electrolux.com



Register your product for better service:

www.registerelectrolux.com



Buy Accessories, Consumables and Original spare parts for your appliance:

www.electrolux.com/shop

CUSTOMER CARE AND SERVICE

Always use original spare parts.

When contacting our Authorised Service Centre, ensure that you have the following data available: Model, PNC, Serial Number.

The information can be found on the rating plate.



Warning / Caution-Safety information



General information and tips



Environmental information

Subject to change without notice.

1. SAFETY INFORMATION

Before the installation and use of the appliance, carefully read the supplied instructions. The manufacturer is not responsible if an incorrect installation and use causes

injuries and damages. Always keep the instructions with the appliance for future reference.

1.1 Children and vulnerable people safety

- This appliance can be used by children aged from 8 years and above and persons with reduced physical, sensory or mental capabilities or lack of experience and knowledge if they have been given supervision or instruction concerning use of the appliance in a safe way and understand the hazards involved.
- Do not let children play with the appliance.
- Cleaning and user maintenance shall not be made by children without supervision.
- Keep all packaging away from children.

1.2 General Safety

- This appliance is intended to be used in household and similar applications such as:
 - Farm houses; staff kitchen areas in shops, offices and other working environments
 - By clients in hotels, motels, bed and breakfast and other residential type environments
- Use this appliance for storage of wine only.
- Keep ventilation openings, in the appliance enclosure or in the built-in structure, clear of obstruction.
- Do not use mechanical devices or other means to accelerate the defrosting process, other than those recommended by the manufacturer.
- Do not damage the refrigerant circuit.
- Do not use electrical appliances inside the food storage compartments of the appliance, unless they are of the type recommended by the manufacturer.
- Do not use water spray and steam to clean the appliance.
- Clean the appliance with a moist soft cloth. Only use neutral detergents. Do not use abrasive products, abrasive cleaning pads, solvents or metal objects.

- Do not store explosive substances such as aerosol cans with a flammable propellant in this appliance.
- If the supply cord is damaged, it must be replaced by the manufacturer, its Authorised Service Centre or similarly qualified persons in order to avoid a hazard.

2. SAFETY INSTRUCTIONS

2.1 Installation



WARNING!

Only a qualified person must install this appliance.

- Remove all the packaging.
- Do not install or use a damaged appliance.
- Obey the installation instruction supplied with the appliance.
- Always be careful when you move the appliance because it is heavy. Always wear safety gloves.
- Make sure the air can circulate around the appliance.
- Wait at least 4 hours before connecting the appliance to the power supply. This is to allow the oil to flow back in the compressor.
- Do not install the appliance close to radiators or cookers, oven or hobs.
- The rear of the appliance must stand against the wall.
- Do not install the appliance where there is direct sunlight.
- Do not install this appliance in areas that are too humid or too colds, such as the construction appendices, garages or wine cellars.
- When you move the appliance, lift it by the front edge to avoid scratching the floor.

2.2 Electrical connection



WARNING!

Risk of fire and electrical shock.

- The appliance must be earthed.
- Make sure that the electrical information on the rating plate agrees with the power supply. If not, contact an electrician.

- Always use a correctly installed shockproof socket.
- Do not use multi-plug adapters and extension cables.
- Make sure not to cause damage to the electrical components (e.g. mains plug, mains cable, compressor). Contact the Authorised Service Centre or an electrician to change the electrical components.
- The mains cable must stay below the level of the mains plug.
- Connect the mains plug to the mains socket only at the end of the installation. Make sure that there is access to the mains plug after the installation.
- Do not pull the mains cable to disconnect the appliance. Always pull the mains plug.

2.3 Use



WARNING!

Risk of injury, burns, electrical shock or fire.

- Do not change the specification of this appliance.
- Do not put electrical appliances (e.g. ice cream makers) in the appliance unless they are stated applicable by the manufacturer.
- Be careful not to cause damage to the refrigerant circuit. It contains isobutane (R600a), a natural gas with a high level of environmental compatibility. This gas is flammable.
- If damage occurs to the refrigerant circuit, make sure that there are no flames and sources of ignition in the room. Ventilate the room.
- Do not let hot items to touch the plastic parts of the appliance.

- Do not put soft drinks in the freezer compartment. This will create pressure on the drink container.
- Do not store flammable gas and liquid in the appliance.
- Do not put flammable products or items that are wet with flammable products in, near or on the appliance.
- Do not touch the compressor or the condenser. They are hot.
- Do not remove or touch items from the freezer compartment if your hands are wet or damp.
- Do not freeze again food that has been thawed.
- Obey the storage instructions on the packaging of frozen food.

2.4 Care and cleaning



WARNING!

Risk of injury or damage to the appliance.

- Before maintenance, deactivate the appliance and disconnect the mains plug from the mains socket.
- This appliance contains hydrocarbons in the cooling unit. Only a qualified person must do the maintenance and the recharging of the unit.

- Regularly examine the drain of the appliance and if necessary, clean it. If the drain is blocked, defrosted water collects in the bottom of the appliance.

2.5 Disposal



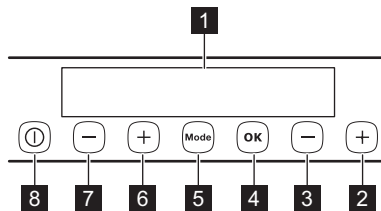
WARNING!

Risk of injury or suffocation.

- Disconnect the appliance from the mains supply.
- Cut off the mains cable and discard it.
- Remove the door to prevent children and pets to be closed inside of the appliance.
- The refrigerant circuit and the insulation materials of this appliance are ozone-friendly.
- The insulation foam contains flammable gas. Contact your municipal authority for information on how to discard the appliance correctly.
- Do not cause damage to the part of the cooling unit that is near the heat exchanger.

3. OPERATION

3.1 Control Panel

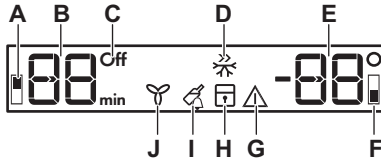


- 1** Display
- 2** Freezer Temperature warmer button
- 3** Freezer Temperature colder button
- 4** OK
- 5** Mode
- 6** Fridge Temperature warmer button
- 7** Fridge Temperature colder button

8 ON/OFF

It is possible to change predefined sound of buttons to a loudly one by pressing together Mode and temperature colder button for some seconds. Change is reversible.

3.2 Display



- A) Fridge compartment indicator
- B) Timer indicator /Temperature indicator
- C) ON/OFF indicator
- D) FastFreeze function
- E) Temperature indicator
- F) Freezer compartment indicator
- G) Alarm indicator
- H) ChildLock function
- I) DrinksChill function
- J) FreeStore function

3.3 Switching on

1. Connect the mains plug to the power socket.
2. Press the appliance ON/OFF if the display is off.

The alarm buzzer could operate after few seconds.

The temperature indicators show the set default temperature.

To reset the alarm refer to "High temperature alarm".

To select a different set temperature refer to "Temperature regulation".

If "dEMo" appears on the display, refer to "Troubleshooting" chapter.

3.4 Switching off

1. Press the appliance ON/OFF for 5 seconds.

The display switches off.

2. Disconnect the mains plug from the power socket.

3.5 Switching on the wine cellar

1. Press Mode until the corresponding icon appears.

The wine cellar OFF indicator flashes.

2. Press OK to confirm.
To select a different set temperature refer to "Temperature regulation".

The wine cellar OFF indicator goes off.

3.6 Switching off the wine cellar

1. Press the Mode until the corresponding icon appears.

The wine cellar OFF and the wine cellar compartment indicators flash. The wine cellar temperature indicator shows dashes.

2. Press OK to confirm.

The wine cellar OFF indicator is shown.

3.7 Temperature regulation

Set the temperature of the wine cellar and of the freezer by pressing the temperature regulators.

Default temperature settings:

- +10°C for the wine cellar
- -18°C for the freezer

The set temperature will be reached within 24 hours.

After a power failure the set temperature remains stored.

3.8 FastFreeze function

The FastFreeze function accelerates the freezing of fresh food and, at the same time, protects foodstuffs already stored from undesirable warming.


1. Press the Mode button until the corresponding icon appears.

The FastFreeze indicator flashes.

2. Press the OK button to confirm.
TheFastFreeze indicator is shown.

This function stops automatically after 52 hours.

To switch off the function before its automatic end repeat the procedure until the FastFreeze indicator goes off.

-  The function switches off by selecting a different set temperature.

3.9 High temperature alarm


An increase in the temperature in the freezer compartment (for example due to an earlier power failure or opening of the door) is indicated by:

- flashing the alarm and freezer temperature indicators;
- sounding of buzzer.

To reset the alarm press any button. The buzzer switches off.

The freezer temperature indicator shows the highest temperature reached for a few seconds. Then show again the set temperature.

The alarm indicator continues to flash until the normal conditions are restored.

-  When the alarm has returned the alarm indicator goes off.

3.10 Door open alarm for the wine cellar compartment

An acoustic alarm will sound if the door is left open for a few minutes. The door open alarm conditions are indicated by:

- flashing Alarm indicator
- acoustic buzzer

When normal conditions are restored (door closed), the alarm will stop.

During the alarm, the buzzer can be switched off by pressing any button.

3.11 ChildLock function

Activate the ChildLock function to lock the buttons from unintentional operation.

1. Press Mode until the corresponding icon appears.

The ChildLock indicator flashes.

2. Press OK to confirm.

The ChildLock indicator is shown.

To deactivate the ChildLock function, repeat the procedure until the ChildLock indicator goes off.

3.12 DrinksChill function

The DrinksChill function is to be used to set an acoustic alarm at the preferred time, useful for example when a recipe requires to cool down food products for a certain period of time.

It is also useful when a reminder is needed in order not to forget the bottles placed in the freezer for fast cooling.

1. Press Mode until the corresponding icon appears.

The DrinksChill indicator flashes.

The Timer shows the set value (30 minutes) for a few seconds.

2. Press the Timer regulator to change the Timer set value from 1 to 90 minutes.


3. Press OK to confirm.

The DrinksChill indicator is shown.

The Timer start to flash (min).

At the end of the countdown the DrinksChill indicator flashes and an audible alarm sounds. Press OK to switch off the sound and terminate the function.

To switch off the function repeat the procedure until the DrinksChill goes off.

-  It is possible to change the time at any time during the countdown and at the end by pressing the Temperature colder button and the Temperature warmer button.

3.13 FreeStore function


1. Press Mode until the corresponding icon appears.

The FreeStore indicator flashes.

2. Press the OK to confirm.

The FreeStore indicator appears.

To switch off the function, repeat the procedure until the FreeStore indicator goes off.

-  The activation of the FreeStore function increases energy consumption. If the function is activated automatically the FreeStore indicator is not shown (refer to "Daily use").

4. FIRST USE

4.1 Cleaning the interior

Before using the appliance for the first time, the interior and all internal accessories should be washed with lukewarm water and some neutral soap to remove the typical smell of a brand-new product, then dried thoroughly.



CAUTION!

Do not use detergents or abrasive powders, as these will damage the finish.

5. DAILY USE

5.1 Freezing fresh food

The freezer compartment is suitable for freezing fresh food and storing frozen and deep-frozen food for a long time.

To freeze small amount of fresh foods it is not necessary to change the present setting.

To freeze fresh food activate the FastFreeze function at least 24 hours before placing the food to be frozen in the freezer compartment.

Place the food to be frozen in the top compartment.

The maximum amount of food that can be frozen in 24 hours is specified on the rating plate, a label located on the inside of the appliance.

The freezing process lasts 24 hours: during this period do not add other food to be frozen.

When the freezing process is completed, return to the required temperature (see "FastFreeze Function").



In this condition, the refrigerator compartment temperature might drop below 0°C. If this occurs reset the temperature regulator to a warmer setting.

5.2 Storage of frozen food

When first starting-up or after a period out of use, before putting the products in the compartment let the appliance run at least 2 hours on the higher settings.



CAUTION!

In the event of accidental defrosting, for example due to a power failure, if the power has been off for longer than the value shown in the technical characteristics chart under "rising time", the defrosted food must be consumed quickly or cooked immediately and then re-frozen (after cooling).

5.3 Thawing

Deep-frozen or frozen food, prior to being used, can be thawed in the refrigerator compartment or at room temperature, depending on the time available for this operation.

Small pieces may even be cooked still frozen, directly from the freezer: in this case, cooking will take longer.

5.4 Ice-cube production

This appliance is equipped with one or more trays for the production of ice-cubes. Fill these trays with water, then put them in the freezer compartment.



Do not use metallic instruments to remove the trays from the freezer.

5.5 Cold accumulators

The freezer contains at least one cold accumulator which increases storage time in the event of a power cut or breakdown.

5.6 Carbon Air Filter

Your appliance is equipped with a carbon filter TASTEGUARD in a drawer in the rear wall of the fridge compartment.

The filter purifies the air from unwanted odours in the fridge compartment meaning that the storage quality will be further improved.



CAUTION!

During the operation, always keep the air ventilation drawer closed.



5.7 Wine arrangement

The temperature can be adjusted between + 6 and + 16°C.

This compartment is ideal for storing and refining red or white wines for long periods.

- Lay the bottles down in such a way that the corks do not dry.
- Keep the wine in the dark. The door is in anti-UV darkened double glass to protect the wine from the light in case the appliance is located in a well-lit place.
- Avoid switching the appliance light on too often or for too long. Wine keeps better in the dark.
- Handle the bottles with care, to avoid agitating the wine.



Follow the recommendations and advice received at the time of purchase or given in the technical documentation regarding the quality, duration and optimum storage temperature of the wine.

5.8 Air circulation



- Do not cover the shelves with any protective material, such as paper, cardboard or plastic, which may obstruct the air circulation through them.
- Do not place the bottles at directly against the back wall of the compartment which will obstruct the air circulation through them.

5.9 Storage advice

The storage time for wine depends on ageing, the type of grapes, alcoholic content and level of fructose and tannin contained in it. At the time of purchase, check if the wine is already aged or if it will improve over time.

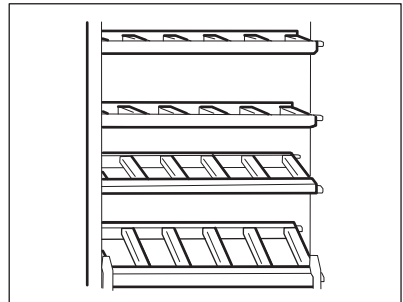
5.10 Wine Cellar shelves

The shelves can be inclined between the two guides, making sure that the smallest pins are properly inserted in the upper guide seat and the front part of the shelf is resting on the front guide.

The short shelf can be placed on the two short guides at the top.

The long shelf can be placed on the three long middle guides and inclined between the last short guide at the bottom and the shelf support structure.

The shelf support structure must be placed in the bottom of the compartment.



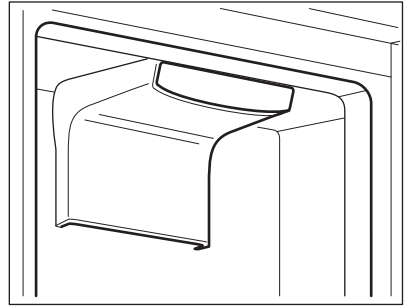
i Only the long shelves can be inserted in the shelf support structure.

i It is advised to remove the shelves for cleaning.

5.11 Fan

The wine cellar compartment is equipped with a device that allows for rapid cooling of wine bottles and more uniform temperature in the compartment.

This device activates by itself when needed, for example for a quick temperature recovering after door opening or when the ambient temperature is high.



i The Fan stops when the door is open and restarts immediately after the door closing.

6. HINTS AND TIPS

6.1 Normal operating sounds

The following sounds are normal during operation:

- A faint gurgling and bubbling sound from coils sound when refrigerant is pumped.
- A whirring and pulsating sound from the compressor when refrigerant is pumped.
- A sudden cracking noise from inside appliance caused by thermic dilatation (a natural and not dangerous physical phenomenon).
- A faint click noise from the temperature regulator when the compressor switches on or off.

6.2 Hints for energy saving

- Do not open the door frequently or leave it open longer than absolutely necessary.
- If foreseen, do not remove the cold accumulators from the freezer basket.

6.3 Hints for freezing

To help you make the most of the freezing process, here are some important hints:

- the maximum quantity of food which can be frozen in 24 hours is shown on the rating plate;
- the freezing process takes 24 hours no further food to be frozen should be added during this period;
- freeze only top quality, fresh and thoroughly cleaned, foodstuffs;
- prepare food in small portions to enable it to be rapidly and completely frozen and to make it possible subsequently to thaw only the quantity required;
- wrap up the food in aluminium foil or polythene and make sure that the packages are airtight;
- do not allow fresh, unfrozen food to touch food which is already frozen, thus avoiding a rise in temperature of the latter;
- lean foods store better and longer than fatty ones; salt reduces the storage life of food;
- water ices, if consumed immediately after removal from the freezer compartment, can possibly cause the skin to be freeze burnt;
- it is advisable to show the freezing in date on each individual pack to

enable you to keep tab of the storage time.

6.4 Hints for storage of frozen food

To obtain the best performance from this appliance, you should:

- make sure that the commercially frozen foodstuffs were adequately stored by the retailer;
- be sure that frozen foodstuffs are transferred from the foodstore to the freezer in the shortest possible time;
- not open the door frequently or leave it open longer than absolutely necessary;
- once defrosted, food deteriorates rapidly and cannot be refrozen;
- do not exceed the storage period indicated by the food manufacturer.

7. CARE AND CLEANING



WARNING!

Refer to Safety chapters.

7.1 General warnings



CAUTION!

Unplug the appliance before carrying out any maintenance operation.



This appliance contains hydrocarbons in its cooling unit; maintenance and recharging must therefore only be carried out by authorized technicians.



The accessories and parts of the appliance are not suitable for washing in a dishwasher.

7.2 Periodic cleaning



CAUTION!

Do not pull, move or damage any pipes and/or cables inside the cabinet.



CAUTION!

Take care of not to damage the cooling system.



CAUTION!

When moving the cabinet, lift it by the front edge to avoid scratching the floor.

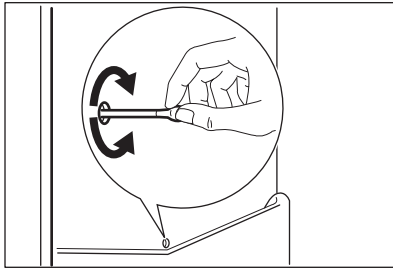
The equipment has to be cleaned regularly:

1. Clean the inside and accessories with lukewarm water and some neutral soap.
2. Regularly check the door seals and wipe clean to ensure they are clean and free from debris.
3. Rinse and dry thoroughly.
4. If accessible, clean the condenser and the compressor at the back of the appliance with a brush. This operation will improve the performance of the appliance and save electricity consumption.

7.3 Defrosting of the refrigerator

Frost is automatically eliminated from the evaporator of the refrigerator compartment every time the motor compressor stops, during normal use. The defrost water drains out through a trough into a special container at the back of the appliance, over the motor compressor, where it evaporates.

It is important to periodically clean the defrost water drain hole in the middle of the refrigerator compartment channel to prevent the water overflowing and dripping onto the food inside.



7.4 Defrosting the freezer

The freezer compartment is frost free. This means that there is no build up of frost when it is in operation, neither on the internal walls nor on the foods.

The absence of frost is due to the continuous circulation of cold air inside the compartment, driven by an automatically controlled fan.

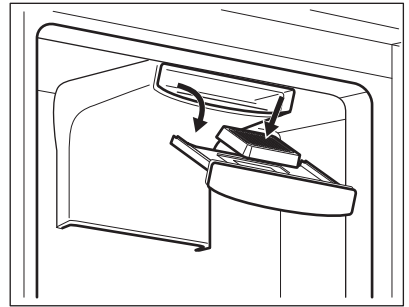
7.5 Replacing the TASTEGUARD filter

The carbon air filter is an active carbon filter which absorbs bad odors and permits to maintain the best flavour and aroma for all foodstuffs without risk of odor cross contamination.

i During the operation, always keep the air ventilation flap closed. The air filter should be handled carefully to prevent its surface from being scratched.

i On delivery, the carbon filter is in a plastic bag to preserve performance. Place the filter in the slot before activating the appliance.

1. Pull out of the slot the exhausted air filter.
The air filter is placed behind the flap and can be reached by pulling the flap outward.



2. Insert the air filter in the slot.
3. Close the flap.

To get the best performance the TASTEGUARD filter should be changed once every year.

i The air filter is a consumable accessory and as such is not covered by the guarantee. New active air filters can be purchased from your local dealer. To change the air filter repeat the procedure.

7.6 Periods of non-operation

When the appliance is not in use for long periods, take the following precautions:

1. Disconnect the appliance from electricity supply.
2. Remove all food.
3. Clean the appliance and all accessories.
4. Leave the door/doors open to prevent unpleasant smells.



WARNING!

If you want to keep the appliance switched on, ask somebody to check it once in a while to prevent the food inside from spoiling in case of a power failure.

8. TROUBLESHOOTING



WARNING!

Refer to Safety chapters.

8.1 What to do if...

Problem	Possible cause	Solution
The appliance does not operate.	The appliance is switched off.	Switch on the appliance.
	The mains plug is not connected to the mains socket correctly.	Connect the mains plug to the mains socket correctly.
	There is no voltage in the mains socket.	Connect a different electrical appliance to the mains socket. Contact a qualified electrician.
The appliance is noisy.	The appliance is not supported properly.	Check if the appliance stands stable.
Audible or visual alarm is on.	The cabinet has been recently switched on or the temperature is still too high.	Refer to "Door open alarm" or "High temperature alarm".
	The temperature in the appliance is too high.	Refer to "Door open alarm" or "High temperature alarm".
	The door is left open.	Close the door.
A square symbol is shown instead of numbers on the Temperature Display.	The temperature in the appliance is too high.	Contact a qualified electrician or contact the nearest Authorised Service Centre.
	Temperature sensor problem.	Contact the nearest Authorised Service Centre (the cooling system will continue to keep food products cold, but temperature adjustment will not be possible).
The lamp does not work.	The lamp is in stand-by.	Close and open the door.
The lamp does not work.	The lamp is defective.	Contact the nearest Authorised Service Centre.
The compressor operates continually.	Temperature is set incorrectly.	Refer to "Operation".
	Many food products were put in at the same time.	Wait some hours and then check the temperature again.

Problem	Possible cause	Solution
	The room temperature is too high.	Refer to climate class chart on the rating plate.
	Food products placed in the appliance were too warm.	Allow food products to cool to room temperature before storing.
	The door is not closed correctly.	Refer to "Closing the door".
	The FastFreeze is switched on.	Refer to "FastFreeze function".
The compressor does not start immediately after pressing the FastFreeze, or after changing the temperature.	This is normal, no error has occurred.	The compressor starts after a period of time.
Water flows inside the refrigerator.	The water outlet is clogged.	Clean the water outlet.
	Food products prevent that water flows into the water collector.	Make sure that food products do not touch the rear plate.
Water flows on the floor.	The melting water outlet is not connected to the evaporative tray above the compressor.	Attach the melting water outlet to the evaporative tray.
Temperature cannot be set.	The FastFreeze or Shopping function is switched on.	Switch off FastFreeze or Shopping manually, or wait until the function resets automatically to set the temperature. Refer to "FastFreeze or Shopping function".
dEMo appears on the display.	The appliance is in demonstration mode.	Keep the OK pressed for approximately 10 seconds until a long sound is heard and display shuts off for a short time.
The temperature in the appliance is too low/too high.	The temperature regulator is not set correctly.	Set a higher/lower temperature.
	The door is not closed correctly.	Refer to "Closing the door".
	The food products' temperature is too high.	Let the food products temperature decrease to room temperature before storage.

Problem	Possible cause	Solution
	Many food products are stored at the same time.	Store less food products at the same time.
	The door has been opened often.	Open the door only if necessary.
	There is no cold air circulation in the appliance.	Make sure that there is cold air circulation in the appliance.
The temperature in the wine cellar is too high.	There is no cold air circulation in the appliance.	Make sure that there is cold air circulation in the appliance.
	The temperature regulator is not set correctly.	Set a lower temperature.
	The door is not closed correctly.	Refer to "Closing the door".
	Many bottles are stored at the same time.	Store less bottles at the same time.
	There is no cold air circulation in the appliance.	"Make sure that there is cold air circulation in the appliance.



If the advice does not lead to the desired result, contact the nearest Authorised Service Centre.

8.2 Replacing the lamp

The appliance is equipped with a longlife LED interior light.

Only service is allowed to replace the lighting device. Contact your Authorised Service Centre.

8.3 Closing the door

1. Clean the door gaskets.
2. If necessary, adjust the door. Refer to "Installation".
3. If necessary, replace the defective door gaskets. Contact the Authorised Service Centre.

9. INSTALLATION

9.1 Positioning

This appliance can be installed in a dry, well ventilated indoor where the ambient temperature corresponds to the climate class indicated on the rating plate of the appliance:

Climate class	Ambient temperature
SN	+10°C to + 32°C
N	+16°C to + 32°C
ST	+16°C to + 38°C
T	+16°C to + 43°C



Some functional problems might occur for some types of models when operating outside of that range. The correct operation can only be guaranteed within the specified temperature range. If you have any doubts regarding where to install the appliance, please turn to the vendor, to our customer service or to the nearest Authorised Service Centre.

9.2 Electrical Connection



CAUTION!

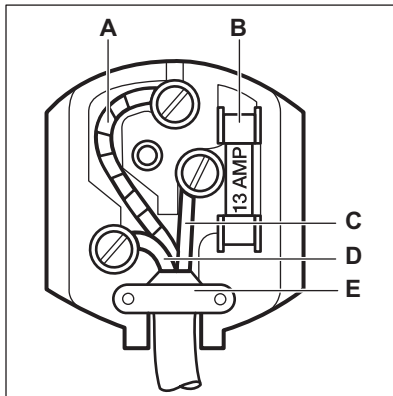
Any electrical work required to install this appliance should be carried out by a qualified electrician or competent person.



WARNING!

This appliance must be earthed. The manufacturer declines any liability should these safety measures not be observed.

The wires in the mains lead are coloured in accordance with the following code:



- A - green and yellow: Earth
- C - brown: Live
- D - blue: Neutral

As the colours of the wires in the mains lead of this appliance may not correspond with the coloured markings identifying the terminals in your plug, proceed as follows:

1. Connect the wire coloured green and yellow to the terminal marked either with the letter "E" or by the earth symbol \oplus or coloured green and yellow.
2. Connect the wire coloured blue to the terminal either marked with the letter "N" or coloured black.
3. Connect the wire coloured brown to the terminal either marked with the "L" or coloured red.
4. Check that no cut, or stray strands of wire is present and the cord clamp (E) is secure over the outer sheath. Make sure the electricity supply voltage is the same as that indicated on the appliance rating plate.
5. Switch on the appliance.

The appliance is supplied with a 13 amp fuse (B). In the event of having to change the fuse in the plug supplied, a 13 amp ASTA approved (BS 1362) fuse must be used.

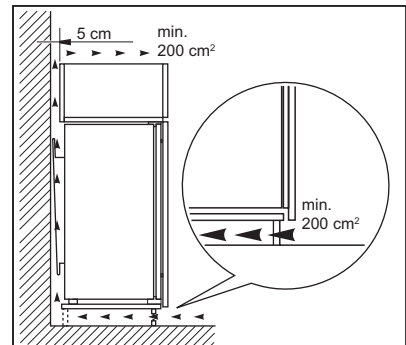


WARNING!

A cut off plug inserted into a 13 amp socket is a serious safety (shock) hazard. Ensure that it is disposed of safely.

9.3 Ventilation requirements

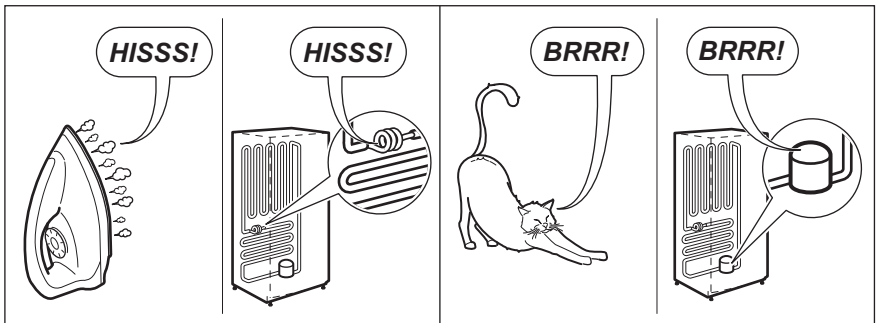
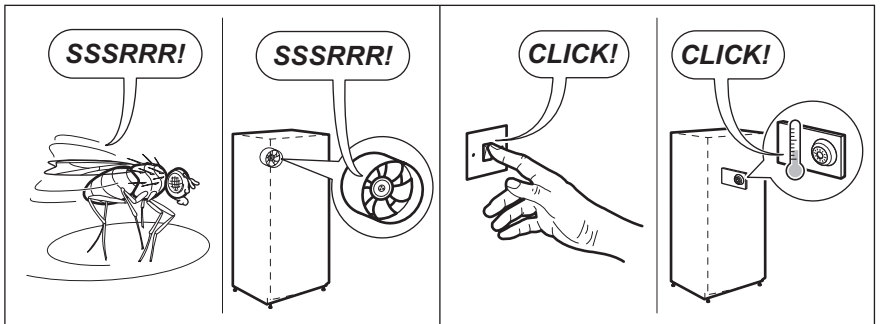
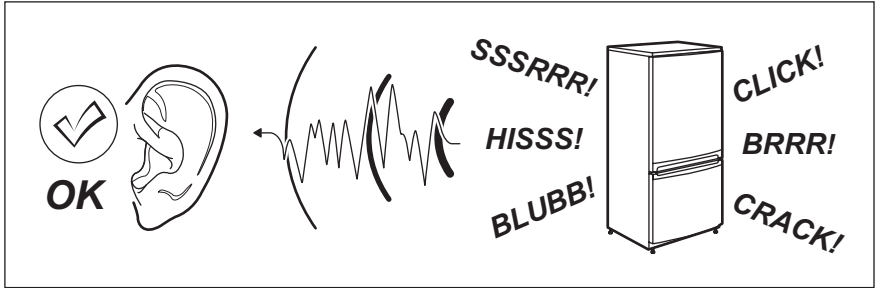
The airflow behind the appliance must be sufficient.

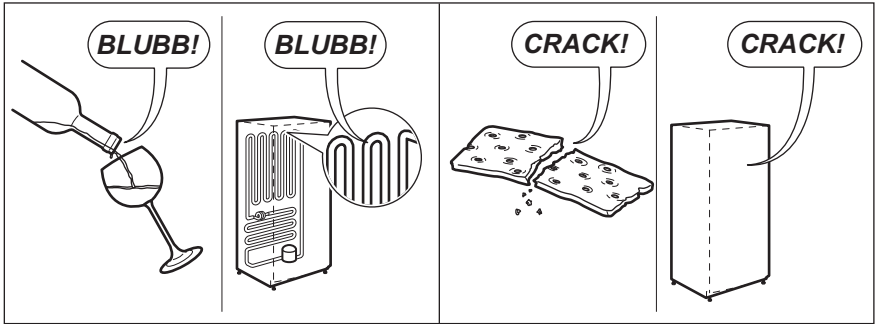


! **CAUTION!**
 Refer to the assembly
 instructions for the
 installation.

10. NOISES

There are some sounds during normal running (compressor, refrigerant circulation).





11. TECHNICAL INFORMATION

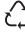
11.1 Technical data


Height	mm	1885
Width	mm	545
Depth	mm	575
Rising time	Hours	25
Voltage	Volts	230 - 240
Frequency	Hz	50

The technical information are situated in the rating plate, on the external or

internal side of the appliance and in the energy label.

12. ENVIRONMENT CONCERNS

Recycle the materials with the symbol . Put the packaging in applicable containers to recycle it. Help protect the environment and human health and to recycle waste of electrical and electronic appliances. Do not dispose appliances

marked with the symbol  with the household waste. Return the product to your local recycling facility or contact your municipal office.

www.electrolux.com/shop



222370150-A-262015

