



CONTENTS

1. SAFETY INFORMATION.....	3
2. SAFETY INSTRUCTIONS.....	5
3. ACCESSORIES.....	6
4. PRODUCT DESCRIPTION.....	7
5. CONTROL PANEL.....	8
6. PROGRAMME TABLE.....	8
7. OPTIONS.....	9
8. SETTINGS.....	10
9. BEFORE FIRST USE.....	11
10. DAILY USE.....	11
11. HINTS AND TIPS.....	12
12. CARE AND CLEANING.....	12
13. TROUBLESHOOTING.....	14
14. TECHNICAL DATA.....	15
15. INSTALLATION.....	16

FOR PERFECT RESULTS

Thank you for choosing this AEG product. We have created it to give you impeccable performance for many years, with innovative technologies that help make life simpler features you might not find on ordinary appliances. Please spend a few minutes reading to get the very best from it.

Visit our website for:



Get usage advice, brochures, trouble shooter, service information:
www.aeg.com



Register your product for better service:
www.registeraeg.com




Buy Accessories, Consumables and Original spare parts for your appliance:
www.aeg.com/shop

CUSTOMER CARE AND SERVICE

Always use original spare parts.

When contacting our Authorised Service Centre, ensure that you have the following data available: Model, PNC, Serial Number.

The information can be found on the rating plate.

 Warning / Caution-Safety information

 General information and tips

 Environmental information

Subject to change without notice.

1. SAFETY INFORMATION

Before the installation and use of the appliance, carefully read the supplied instructions. The manufacturer is not responsible if an incorrect installation and use causes injuries and damages. Always keep the instructions with the appliance for future reference.

1.1 Children and vulnerable people safety

**WARNING!**

Risk of suffocation, injury or permanent disability.

- This appliance can be used by children aged from 8 years and above and persons with reduced physical, sensory or mental capabilities or lack of experience and knowledge if they have been given supervision or instruction concerning use of the appliance in a safe way and understand the hazards involved.
- Do not let children play with the appliance.
- Children of less than 3 years should be kept away unless continuously supervised.
- Keep all packaging away from children.
- Keep all detergents away from children.
- Keep children and pets away from the appliance door when it is open.
- If the appliance has a child safety device, we recommend you activate it.
- Cleaning and user maintenance shall not be made by children without supervision.

1.2 General Safety

- Do not change the specification of this appliance.
- If the tumble dryer is put on top of a washing machine, use the stacking kit. The stacking kit, available from your authorized vendor, can be used only with the appliance specified in the instructions,

supplied with the accessory. Read it carefully before installation (Refer to the Installation leaflet).

- The appliance can be installed as freestanding or below the kitchen counter with correct space (Refer to the Installation leaflet).
- Do not install the appliance behind a lockable door, a sliding door or a door with a hinge on the opposite side, where the appliance door can not be fully opened.
- The ventilation openings in the base (if applicable) must not be obstructed by a carpet.
- Connect the mains plug to the mains socket only at the end of the installation. Make sure that there is access to the mains plug after the installation.
- Ensure you have good ventilation in the installation room to avoid the back flow of gases into the room from appliances burning other fuels, including open fires.
- Exhaust air must not be discharged into a flue which is used for exhausting fumes from appliances burning gas or other fuels. (if applicable)
- If the supply cord is damaged, it must be replaced by the manufacturer, its Authorised Service Centre or similarly qualified persons in order to avoid a hazard.
- Obey the maximum load volume of 7kg (refer to the "Programme chart" chapter).
- Do not use the appliance if industrial chemicals have been used for cleaning.
- Wipe away lint that has accumulated around the appliance.
- Do not run the appliance without a filter. Clean the lint filter before or after each use.
- Do not dry unwashed items in the tumble dryer.
- Items that have been soiled with substances such as cooking oil, acetone, alcohol, petrol, kerosene, spot removers, turpentine, waxes and wax removers should be washed in hot water with an extra amount of detergent before being dried in the tumble dryer.

- Items such as foam rubber (latex foam), shower caps, waterproof textiles, rubber backed articles and clothes or pillows fitted with foam rubber pads should not be dried in the tumble dryer.
- Fabric softeners, or similar products, should be used as specified by the fabric softener instructions.
- Remove all objects from pockets such as lighters and matches.
- Never stop a tumble dryer before the end of the drying cycle unless all items are quickly removed and spread out so that the heat is dissipated.
- The final part of a tumble dryer cycle occurs without heat (cool down cycle) to ensure that the items are left at a temperature that ensures that the items will not be damaged.
- Before maintenance, deactivate the appliance and disconnect the mains plug from the mains socket.

2. SAFETY INSTRUCTIONS

2.1 Installation

- Remove all the packaging.
- Do not install or use a damaged appliance.
- Obey the installation instruction supplied with the appliance.
- Always be careful when you move the appliance because it is heavy. Always wear safety gloves.
- Do not install or use the appliance where the temperature is less than 5°C or higher than 35°C.
- Make sure that the floor where you install the appliance is flat, stable, heat resistant and clean.
- Make sure that there is air circulation between the appliance and the floor.
- Always move the appliance vertically.
- The rear surface of the appliance must be put against the wall.
- When the appliance is put in its permanent position, check if it is fully level with the aid of a spirit level. If it is not, adjust the feet until it is.

2.2 Electrical connection



WARNING!

Risk of fire and electrical shock.

- The appliance must be earthed.
- Make sure that the electrical information on the rating plate agrees with the power supply. If not, contact an electrician.
- Always use a correctly installed shockproof socket.
- Do not use multi-plug adapters and extension cables.
- Do not pull the mains cable to disconnect the appliance. Always pull the mains plug.
- Do not touch the mains cable or the mains plug with wet hands.
- Only for UK and Ireland. The appliance has a 13 amp mains plug. If it is necessary to change the fuse in the mains plug, use a 13 amp ASTA (BS 1362) fuse.
- This appliance complies with the E.E.C. Directives.

2.3 Use



WARNING!

Risk of injury, electrical shock, fire, burns or damage to the appliance.

- Use this appliance in a household only.
- Do not dry the damaged items which contain padding or fillings.
- Only dry fabrics which are applicable to dry in the tumble dryer. Follow the instructions on the fabric label.
- If you have washed your laundry with a stain remover start an extra rinse cycle before you start the dryer.
- Do not drink or prepare food with the condensed water/distilled water. It can cause health problems to people and pets.
- Do not sit or stand on the open door.
- Do not dry dripping wet clothes in the tumble dryer.

2.4 Care and cleaning



WARNING!

Risk of injury or damage to the appliance.

- Do not use water spray and steam to clean the appliance.
- Clean the appliance with a moist soft cloth. Only use neutral detergents. Do not use abrasive products, abrasive cleaning pads, solvents or metal objects.

2.5 Disposal



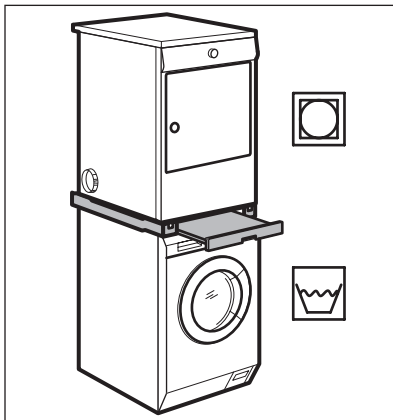
WARNING!

Risk of injury or suffocation.

- Disconnect the appliance from the mains supply.
- Cut off the mains cable and discard it.
- Remove the door catch to prevent children and pets to get closed in the appliance.

3. ACCESSORIES

3.1 Stacking kit

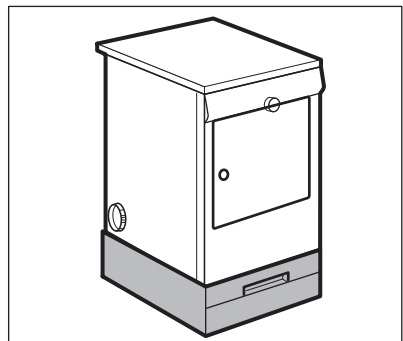


Product name: SKP11.

Available from your authorized dealer. Stacking kit can be used only with the

washing machines specified in the leaflet. See leaflet attached. Read carefully the instructions supplied with the kit.

3.2 Pedestal with the drawer



Product name: PDSTP10.

Available from your authorized dealer.
To put the appliance higher at the level which helps to easy load and remove the laundry.

The drawer can be use for laundry storage e.g. : towels, cleaning products and more. Read carefully the instructions supplied with the accessory.

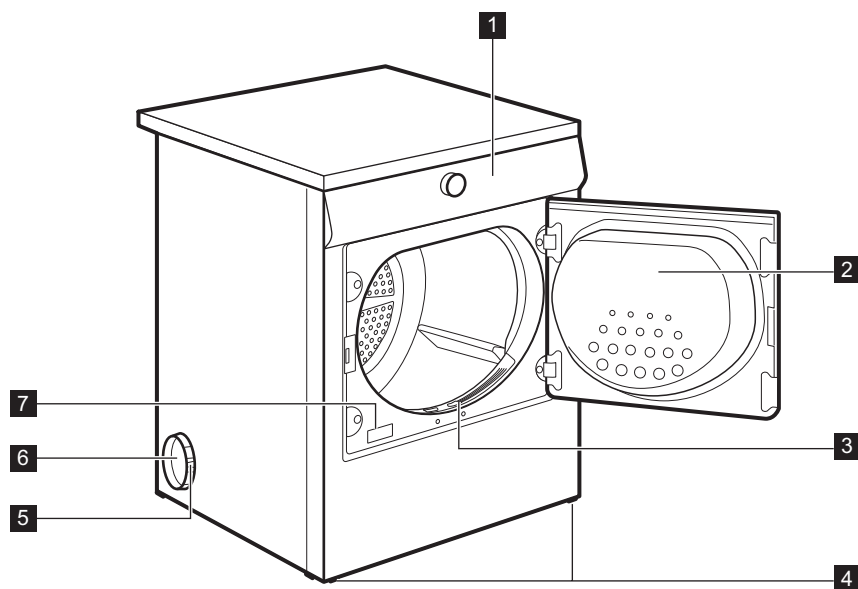
collects lint and condensation, thus avoiding dirt and damage due to moisture in the room where the tumble dryer is placed.

Read carefully the instructions supplied with the kit.

3.3 Vent kit

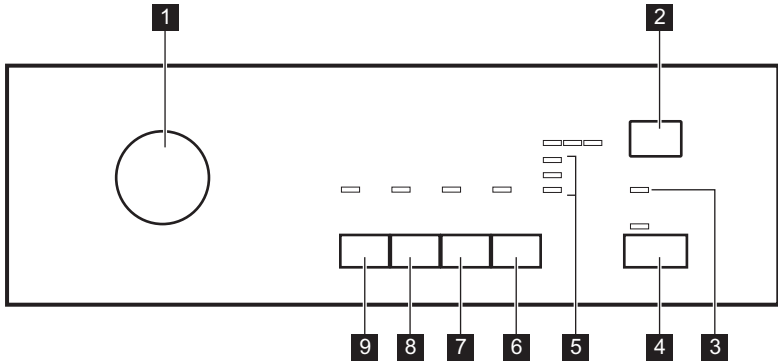
Universal kit for vented dryers where an outdoor outlet is not possible. The tank

4. PRODUCT DESCRIPTION



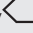
- | | |
|--------------------------------------|--|
| 1 Control panel | 5 Plastic ring |
| 2 Appliance door (reversible) | 6 Side/rear ventilation opening |
| 3 Primary Filter | 7 Rating plate |
| 4 Adjustable feet | |

5. CONTROL PANEL



- | | |
|--|----------------------------------|
| 1 Programme knob and ① OFF switch | 6 Push button Buzzer |
| 2 Push button Delay | 7 Push button Anti-crease |
| 3 Indication lamp: clean the filter | 8 Push button Sensitive |
| 4 Push button Start/Pause | 9 Push button Delicate |
| 5 Function status LED | |


6. PROGRAMME TABLE

Programmes	Type of load	Load (max.) ¹⁾ / Fabric mark
Cotton		
Extra Dry	Drying level: extra dry.	7kg/ ☺ ☹
Strong Dry	Drying level: strong dry.	7kg/ ☺ ☹
Cupboard Dry  ^{2) 3)}	Drying level: cupboard dry.	7kg/ ☺ ☹
Iron Dry ²⁾	Drying level: applicable for iron.	7kg/ ☺ ☹
Synthetic		
Extra Dry	Drying level: extra dry.	3kg/ ☺ ☹ ☹
Cupboard Dry ²⁾	Drying level: cupboard dry.	3kg/ ☺ ☹ ☹
Iron Dry	Drying level: applicable for iron.	3kg/ ☺ ☹ ☹
Special		

Programmes	Type of load	Load (max.) ¹⁾ / Fabric mark
Time 30'	Time programme to dry individual items of laundry.	1kg/ ☺☺☺
Refresh	Refreshing a textiles that were in storage.	1kg
Bed Linen	To dry bed linen such as: single and double sheet, pillowcase, bedspread.	2kg/ ☺☺☺
Jeans	Leisure clothing such as jeans, sweat-shirts of different material thicknesses (e.g. at the neck, cuffs and seams).	7kg/ ☺☺
Sports	Sportswear, thin and light fabrics, microfiber, polyester, which are not ironed.	2kg/ ☺☺☺
Easy Iron	Easy care fabrics for which a minimum of ironing is necessary. The drying results can be different from one type of fabric to the other. Shake the items before you put them in the appliance. When the programme is completed, Immediately remove the items and put them on a hanger.	1kg (or 5 shirts)/ ☺☺☺
Wool Refresh	Refreshing a wool fabrics. Wool items become soft and cosy. Remove the items immediately after the programme end.	1kg


1) The maximum weight refers to dry items.

2) **For test institutes only:** Standard programmes for tests are specified in the EN 61121 document.

3) The  Cotton Cupboard Dry programme is the "Standard cotton programme" and it is suitable to dry normal wet cotton laundry and it is the most efficient programme in terms of energy consumption for drying wet cotton laundry.

7. OPTIONS

7.1 Delicate

With this option you can set a delicate drying programme that has a low temperature. Use this option with a fabrics that have the symbol  on the fabric label (e.g. acrylic, viscose).

7.2 Sensitive

To dry lightly of fabrics that are frequently worn. Programme starts on full heat setting, which is then decrease as the programme continue to be lightly to the laundry.

7.3 Anti-crease

Extends of 60 minutes the standard anticrease phase (30 minutes) at the end of the drying cycle. This function prevents the laundry from creases. The laundry can be removed during the anticrease phase.

7.4 Buzzer

you can hear the buzzer at the:

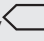
- cycle end
- start and end of crease guard phase
- cycle interruption

The buzzer function is by default always on. You can use this function to activate or deactivate the sound.



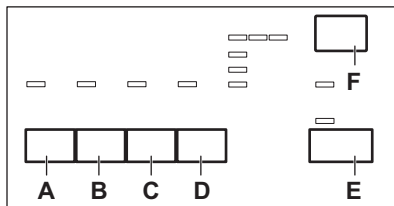
You can activate the Buzzer option with all programmes.

7.5 Options table

Programmes ¹⁾	Delicate	Sensitive	Anti-crease
Cotton			
Extra Dry	■	■	■
Strong Dry	■	■	■
Cupboard Dry 	■	■	■
Iron Dry	■	■	■
Synthetic			
Extra Dry	■	■	■
Cupboard Dry	■	■	■
Iron Dry	■	■	■
Special			
Time 30'	■		■
Refresh	■		■
Bed Linen	■		■
Jeans	■	■	■
Sports	■		■
Easy Iron	■		■
Wool Refresh			

¹⁾ The Delicate and Sensitive functions cannot be set together.

8. SETTINGS



- A) Push button Delicate
- B) Push button Sensitive
- C) Push button Anti-crease
- D) Push button Buzzer
- E) Push button Start/Pause

F) Push button Delay

8.1 Adjustment of the remaining laundry moisture degree

To change the default degree of the remaining moisture of the laundry:

1. Use the programme knob to set any programme.
2. Wait approximately 8 seconds.
3. Press and hold buttons **(A)** and **(D)** at the same time.

One of the these indicators comes on:

- **End** - the maximum dry laundry
- **Cooling** - the more dry laundry

- **End** and **Cooling** the standard dry laundry
4. Press the button **(E)** again and again until the indicator of the correct level comes on.
 5. To confirm the adjustment, press and hold buttons **(A)** and **(D)** at the same time for approximately 2 seconds.

8.2 Buzzer permanent off

To deactivate or activate the acoustic signals, press and hold for approximately 2 seconds touchpads **(A)** and **(B)** at the same time.

9. BEFORE FIRST USE

Before you use the appliance for the first time do these operations:

- Clean the tumble dryer drum with a moist cloth.

- Start a short programme (e.g. 30 minutes) with moist laundry.

10. DAILY USE

10.1 Start a programme without delay start

1. Prepare the laundry and load the appliance.



CAUTION!

Make sure that when you close the door, the laundry does not catch between the appliance door and the rubber seal.

2. Set the correct programme and options for the type of load.
3. Press the Start/Pause touchpad. The programme starts.

10.2 Starting the programme with delay start

1. Set the correct programme and options for the type of load.
2. Press the delay start button again and again as necessary.



You can delay the start of a programme by 3, 6 or 9 hours.

3. Press the Start/Pause button.

The LEDs (9H, 6H, 3H) change on each 3 hours.

10.3 Change a programme

1. Turn the Programme knob to OFF
2. Set the programme.

10.4 At the end of the programme

When the programme is completed:


- An intermittent acoustic signal operates (If the Buzzer function is on).
- The indicators End and Filter comes on.
- The Start/Pause indicator is on.

The appliance continues to operate with the crease guard phase for approximately other 30 minutes.

The crease guard phase removes creases from your laundry.

You can remove the laundry before the crease guard phase is completed. We recommend, for better results, that you remove the laundry when the phase is almost completed or completed.

When the crease guard phase is completed:

- Start/Pause indicator goes off.
- 1. Turn the Programme knob to  OFF
- 2. Open the appliance door.
- 3. Remove the laundry.
- 4. Close the appliance door.



Always clean the filter when a programme is completed.

10.5 Stand-by function





To decrease the energy consumption, this function automatically deactivates the appliance:

- After 5 minutes if you do not start the programme.
- After 5 minutes from the end of the programme.

11. HINTS AND TIPS

11.1 Preparing the laundry

- Close the zippers.
- Close the fasteners of the duvet covers.
- Do not keep ties or ribbons loose (e.g. apron ribbons). Tie them before you start a programme.
- Remove all items from the pockets.
- If an item has the internal layer made of cotton, turn it inside out. Make sure that the cotton layer is always external
- We recommend that you set the correct programme applicable for the type of fabrics that are in the appliance.
- Do not put fabrics with strong colours together with fabrics with light colours. Strong colours can bleed.
- Use an applicable programme for cotton jersey and knitwear to prevent the items to shrink.
- Make sure that the laundry weight is not more than the maximum weight that is in the programme table.
- Dry only the laundry that is applicable for tumble dryer. Refer to the fabric label on the items.

Fabric label	Description
	Laundry that is applicable for tumble dryer.
	Laundry that is applicable for tumble dryer. Set the programme with standard temperature.
	Laundry that is applicable for tumble dryer. Set the programme with low temperature.
	Laundry that is not applicable for tumble dryer.

12. CARE AND CLEANING

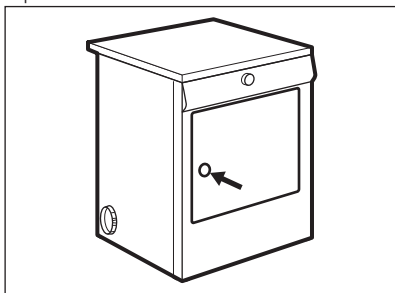
12.1 Cleaning the filter

At the end of each cycle the filter indicator is on to tell you that the filter must be cleaned.

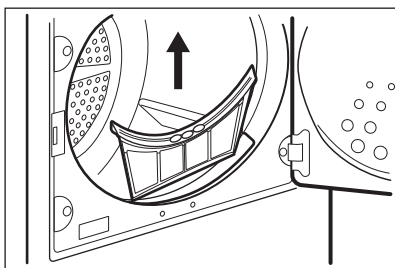


The filter collects the fluff. The fluff occurs while the cloths are dried in the tumble dryer.

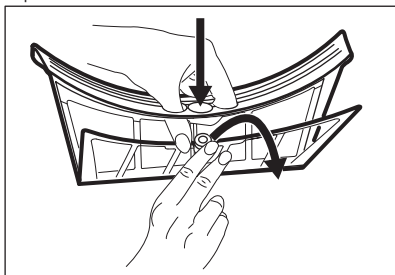
1. Open the door.



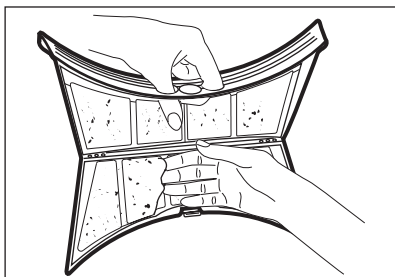
2. Pull the filter.



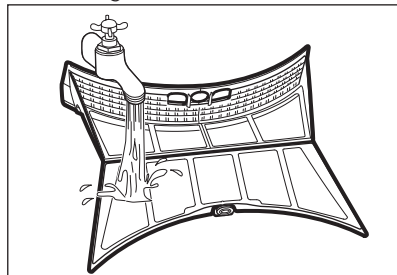
3. Open the filter.



4. Use a moist hand to clean the filter.



5. If necessary clean the filter with warm water using a brush.



6. Close the filter.
7. Remove fluff from the filter socket. For this a vacuum cleaner can be used.
8. Put the filter inside the filter socket.

12.2 Cleaning the drum



WARNING!

Disconnect the appliance before you clean it.

Use a standard neutral soap detergent to clean the inner surface of the drum and drum ribs. Dry the cleaned surfaces with a soft cloth.



CAUTION!

Do not use abrasive materials or steel wool to clean the drum.

12.3 Cleaning the control panel and housing

Use a standard neutral soap detergent to clean the control panel and housing.

Use a moist cloth to clean. Dry the cleaned surfaces with a soft cloth.



CAUTION!

Do not use furniture cleaning agents or cleaning agents which can cause corrosion to clean the appliance.

13. TROUBLESHOOTING

Problem	Possible solution
You cannot activate the appliance.	Make sure that the mains plug is connected to the mains socket.
	Check fuse in fuse box (domestic installation).
The programme does not start.	Press Start/Pause.
	Make sure that the appliance door is closed.
The appliance door does not close.	Make sure that the installation of the filter is correct.
	Make sure that the laundry does not catch between the appliance door and the rubber seal.
The display shows a long programme duration. ¹⁾	Make sure that the weight of the laundry is applicable to the duration of the programme.
	Make sure that the filter is clean.
	The laundry is too wet. Spin the laundry in the washing machine again.
	Make sure that the room temperature is not too warm.
The display shows a short programme duration.	Set the Time Drying or the Extra Dry programme.
The display shows Err2).	If you want to set a new programme, deactivate and activate the appliance.
	Make sure that the options are applicable to the programme.
The display shows (e.g. E51) ²⁾ .	Deactivate and activate the appliance. Start a new programme. If the problem occurs again, contact the Service.

1) After maximum 5 hours, the programme ends automatically

2) only dryers with the display.

If the drying results are not satisfactory

- The set programme was incorrect.
- The filter is clogged.
- There was too much laundry in the appliance.
- The drum is dirty.
- Incorrect setting of the conductivity sensor.
- The airflow slots are clogged.

14. TECHNICAL DATA

Height x Width x Depth	850 x 600 x 580 mm (maximal 640 mm)
Max. depth with the appliance door open	1090 mm
Max. width with the appliance door open	950 mm
Adjustable height	850 mm (+ 15 mm - feet regulation)
Drum volume	108 l
Maximum load volume	7 kg
Voltage	230-240 V
Frequency	50 Hz
Necessary fuse	13 A
Total power	2600 W
Energy efficiency class	C
Energy consumption ¹⁾	4,25 kWh
Annual energy consumption ²⁾	512 kWh
Left—on mode power absorption	0,70 W
Off mode power absorption	0,70 W
Type of use	Household
Permitted ambient temperature	+ 5°C to + 35°C
Level of protection against ingress of solid particles and moisture ensured by the protective cover, except where the low voltage equipment has no protection against moisture	IPX4

¹⁾ With reference to EN 61121. 7kg of cotton centrifuged at 1000 rpm.

²⁾ Energy consumption per year in kWh, based on 160 drying cycles of the standard cotton programme at full and partial load, and the consumption of the low-power modes. Actual energy consumption per cycle will depend on how the appliance is used (REGULATION (EU) No 392/2012).

14.1 Consumption Data

Programme	Spun at / residual humidity	Drying time	Energy consumption
Cotton 7 kg			
Cupboard Dry	1400 rpm / 50%	110 min.	3,70 kWh
	1000 rpm / 60%	125 min.	4,25 kWh

Programme	Spun at / residual humidity	Drying time	Energy consumption
Iron Dry	1400 rpm / 50%	85 min.	2,55 kWh
	1000 rpm / 60%	97 min.	3,20 kWh
Synthetic 3 kg			
Cupboard Dry	1200 rpm / 40%	44 min.	1,20 kWh
	800 rpm / 50%	49 min.	1,47 kWh

15. INSTALLATION

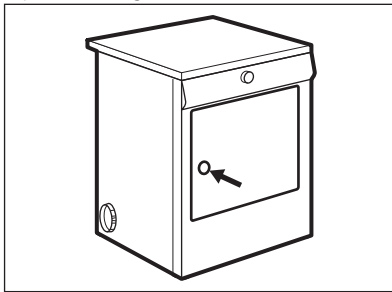
15.1 Unpacking



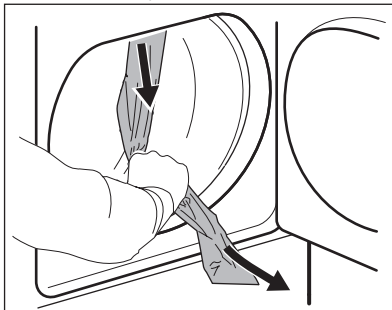
CAUTION!

Before use all parts of the transport packaging must be removed.

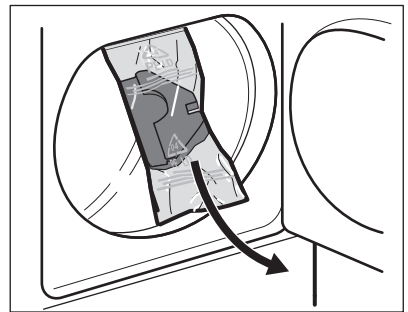
1. Open loading door.



2. Pull off adhesive strips from inside machine on top of drum.



3. Remove foil hose and polystyrene padding from the machine.



15.2 Vent hose



As to the outlet itself, if you have decided on a wall/window grille, a good local builder's merchant can supply you with the necessary fittings and installation advice.

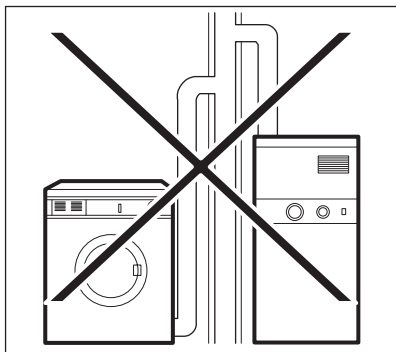


Make sure that the vent hose length is less than 2 m, and that it contains no more than 2 bends.



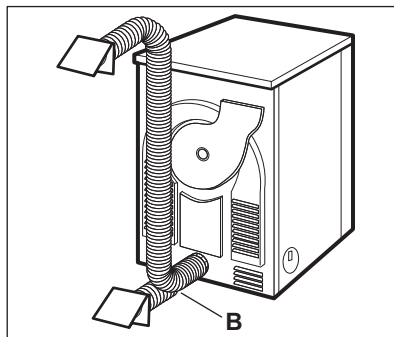
WARNING!

It is important not to connect the vent hose to, for example, a cooker hood, or a chimney or flue pipe designed to transmit the exhaust from a fuel burning appliance.



Note that to prevent condensation problems, it is essential that the dryer be installed with the flexible hose to transmit its "exhaust" at least beyond the kitchen units; preferable outside the kitchen. In order to prevent the appliance from overheating, it is important that the steam exhaust is unobstructed. Thus, if a permanent hose installed to an external wall or ceiling, it must be ensured an exhaust capacity of minimum 150 m³/h. If the dryer is installed adjacent to kitchen units, make sure that the vent hose is not squashed. If the hose is not fully squashed, drying efficiency will be decreased, resulting in longer drying times and higher energy consumption. If the hose is fully squashed, the automatic cut-outs with which the appliance is fitted can operate. When operating the tumble dryer, the room temperature must not be lower than +5°C and higher than +35°C, as it can affect the performance of the appliance.

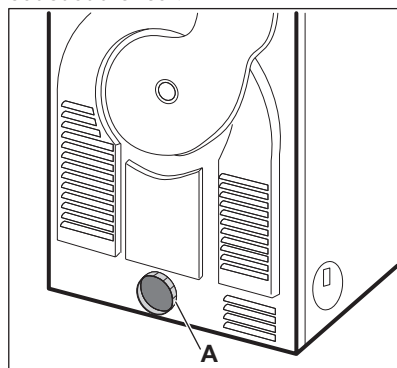
i If the hose is long and the room temperature low, the moisture might condense to water inside the hose. This is an usual occurrence. To prevent this water from the hose, it is recommend to drill a small hole (via. 3 mm) in the lowest point of the hose and to put a small container below it. (See picture, point **B**).



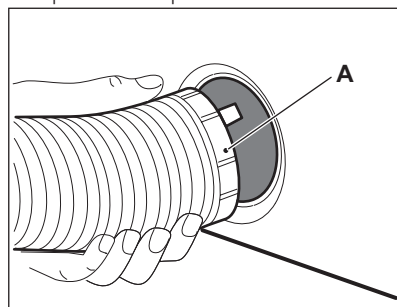
Installation

i There are 3 vent outlets: on the left, right side and at the rear.

1. Pull the ring nut **A** from the vent outlet at the rear.



2. Screw on the ring nut to the hose and push it into position.



3. The not used vents must be sealed with supplied covers.

15.3 Load door reversal



WARNING!

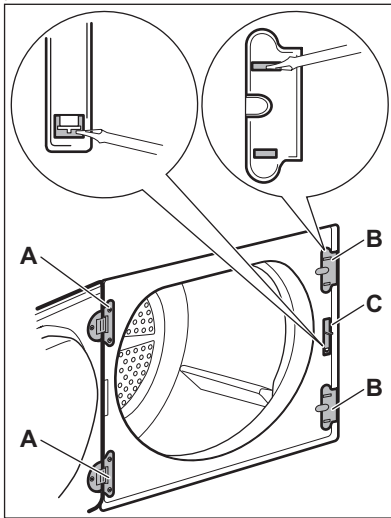
Before changing the door stop, disconnect the mains plug.



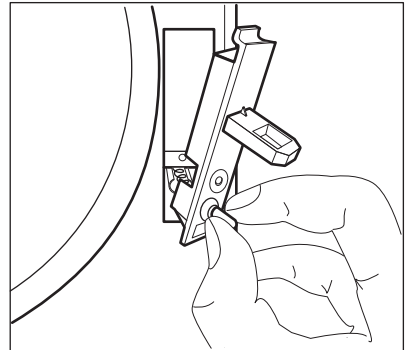
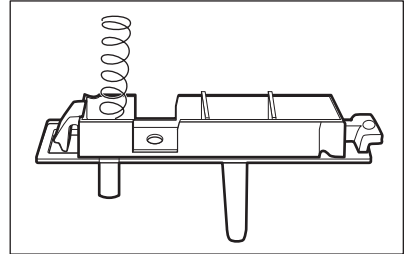
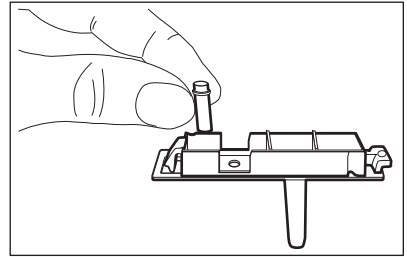
Note regarding contact protection:

The appliance is only secure for operations again once all plastic parts have been put.

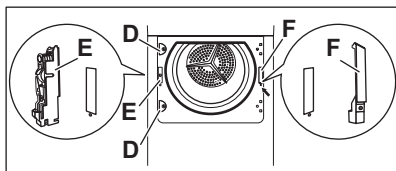
1. Open load door.
2. Unscrew hinge **A** from the front of the appliance and remove the load door.
3. Remove cover plates **B**. To do this, put a thin screwdriver into the slots as shown in the illustration, push down lightly and remove the cover plates.



4. Use an applicable tool and apply pressure to unlock part **C**, remove and turn it through 180°, then put on the other side. There is a small spring below locking block **C**. To put all parts together correctly, look at the illustrations:





5. Unscrew hinge **A** from the load door and turn it through 180°, then put on the opposite side and screw down.
6. Turn cover plates **B** through 180° and put them on the opposite side.
7. Unscrew cover plates **D** from the front of the appliance, turn through 180° and screw down on the opposite side.



8. Unscrew door lock **E**, push down lightly and remove from the front of the appliance.
9. Push snap-in button **F** in and down, push cover down lightly and remove from front of the appliance.
10. Change door lock **E** above to the opposite side, screw down the door interlock.
11. On the other side, put cover **F** and let snap-in button to lock into position.
12. Put load door and hinges into recesses on the front of the appliance and screw down.

16. ENVIRONMENT CONCERNS

Recycle the materials with the symbol . Put the packaging in applicable containers to recycle it. Help protect the environment and human health and to recycle waste of electrical and electronic appliances. Do not dispose appliances

marked with the symbol  with the household waste. Return the product to your local recycling facility or contact your municipal office.

www.aeg.com/shop



136915232-A-372014

