



User Manual
Manual de instruções

Fridge
Frigorífico

ERA 39350 W

Welcome to the world of Electrolux

You've chosen a first class product from Electrolux, which hopefully will provide you with lots of pleasure in the future. Electrolux ambition is to offer a wide variety of quality products that would make your life even more comfortable. You can look at some examples on the cover in this manual. But now it's time to study this manual and start using and enjoying the benefits from your new machine. We promise that it'll make your life a little easier. Good luck!

The following symbols are used in this manual:



Important information concerning your personal safety and information on how to avoid damaging the appliance.




General information and tips



Environmental information



The symbol  on the product or on its packaging indicates that this product may not be treated as household waste. Instead it shall be handed over to the applicable collection point for the recycling of electrical and electronic equipment. By ensuring this product is disposed of correctly, you will help prevent potential negative consequences for the environment and human health, which could otherwise be caused by inappropriate waste handling of this product. For more detailed information about recycling of this product, please contact your local city office, your household waste disposal service or the shop where you purchased the product.

CONTENTS

Safety Information	5	Hints	13
Use	8	Hints for refrigeration	13
Cleaning the interior	8	Maintenance	13
Control panel	8	Periodic cleaning	14
Display	9	Periods of non-operation	14
First switch on	9	Interior light	14
Switching off	9	Defrosting	14
Temperature regulation	9	Technical information	15
Functions Menu	10	Customer service and spare parts	15
Use of the fridge compartment	11	Installation	16
Holiday Function	11	Location	16
Fresh food refrigeration	11	Electrical connection	16
Movable shelves	12	Shelf holders	17
Bottle rack	12	Rear spacers	17
Positioning the door shelves	12	Door reversibility	17
Air recycling	13		

SAFETY INFORMATION

It is most important that this instruction book should be retained with the appliance for future reference. Should the appliance be sold or transferred to another owner, or should you move house and leave the appliance, always ensure that the book is supplied with the appliance in order that the new owner can be acquainted with the functioning of the appliance and the relevant warnings.

If this appliance featuring magnetic door seals is to replace an older appliance having a spring lock (latch) on the door or lid, be sure to make that spring lock unusable before you discard the old appliance. This will prevent it from becoming a death-trap for a child.

These warnings are provided in the interest of safety. You must read them carefully before installing or using the appliance.

General Safety

- This appliance is not intended for use by persons (including children) with reduced physical, sensory or mental capabilities, or lack of experience and knowledge, unless they have been given supervision or instruction concerning use of the appliance by a person responsible for their safety. Children should be supervised to ensure that they do not play with the appliance.
- It is dangerous to alter the specifications or modify this product in any way.

- Before any cleaning or maintenance work is carried out, be sure to switch off and unplug the appliance.
- This appliance is heavy. Care should be taken when moving it
- Ice lollies can cause frost burns if consumed straight from the appliance.
- Take utmost care when handling your appliance so as not to cause any damages to the cooling unit with consequent possible fluid leakages.
- The appliance must not be located close to radiators or gas cookers.
- Avoid prolonged exposure of the appliance to direct sunlight.
- There must be adequate ventilation round the back of the appliance and any damage to the refrigerant circuit must be avoided.
- For freezers only (except built-in models): an ideal location is the cellar or basement.
- Do not use other electrical appliances (such as ice cream makers) inside of refrigerating appliances.

Service/Repair

- Any electrical work required to install this appliance should be carried out by a qualified electrician or competent person
- This product should be serviced by an authorized Service Centre, and only genuine spare parts should be used.

- Under no circumstances should you attempt to repair the appliance yourself. Repairs carried out by inexperienced persons may cause injury or more serious malfunctioning. Refer to your local Service Centre, and always insist on genuine spare parts.
- This appliance contains hydrocarbons in its cooling unit; maintenance and recharging must therefore only be carried out by authorized technicians.

Use

- The domestic refrigerators and freezers are designed to be used specifically for the storage of edible foodstuffs only.
- Best performance is obtained with ambient temperature between +18°C and +43°C (class T); +18°C and +38°C (class ST); +16°C and +32°C (class N); +10°C and +32°C (class SN). The class of your appliance is shown on its rating plate.

Warning: when the ambient temperature is not included within the range indicated for the class of this appliance, the following instructions must be observed: when the ambient temperature drops below the minimum level, the storage temperature in the freezer compartment cannot be guaranteed; therefore it is advisable to use the food stored as soon as possible.

- Frozen food must not be re-frozen once it has been thawed out.

- Manufacturers' storage recommendations should be strictly adhered to. Refer to relevant instructions.
- The inner lining of the appliance consists of channels through which the refrigerant passes. If these should be punctured this would damage the appliance beyond repair and cause food loss. **DO NOT USE SHARP INSTRUMENTS** to scrape off frost or ice. Frost may be removed by using the scraper provided. Under no circumstances should solid ice be forced off the liner. Solid ice should be allowed to thaw when defrosting the appliance.
- Do not place carbonated or fizzy drinks in the freezer as it creates pressure on the container, which may cause it to explode, resulting in damage to the appliance. Do not use a mechanical device or any artificial means to speed up the thawing process other than those recommended by the manufacturer. Never use metal objects for cleaning your appliance as it may get damaged.

Installation

- During normal operation, the condenser and compressor at the back of the appliance heat up considerably. For safety reasons, minimum ventilation must be as shown in the instructions.

Attention: keep ventilation openings clear of obstruction.


- Care must be taken to ensure that the appliance does not stand on the electrical supply cable.

Important: if the supply cord is damaged, it must be replaced by a special cord or assembly available from the manufacturer or its service agent.

- If the appliance is transported horizontally, it is possible that the oil contained in the compressor flows in the refrigerant circuit. It is advisable to wait at least two hours before connecting the appliance to allow the oil to flow back in the compressor.
- There are working parts in this product which heat up. Always ensure that there is adequate ventilation as a failure to do this will result in component failure and possible food loss. See installation instructions.
- Parts which heat up should not be exposed. Wherever possible the back of the product should be against a wall.




Environment Protection

This appliance does not contain gasses which could damage the ozone layer, in either its refrigerant circuit or insulation materials. The appliance shall not be discarded together with the urban refuse and rubbish. Avoid damaging the cooling unit, especially at the rear near the heat exchanger. Information on your local disposal sites may be obtained from municipal authorities. The materials used on this appliance marked by the symbol  are recyclable.

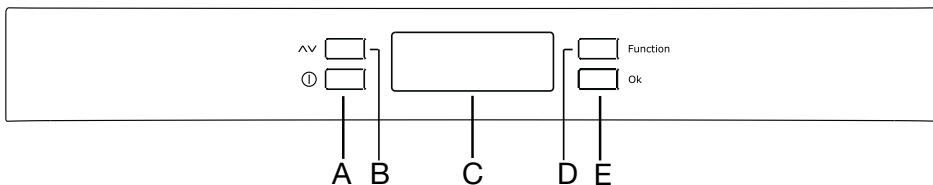


Cleaning the interior

Before using the appliance for the first time, wash the interior and all internal accessories with luke-warm water and some neutral soap so as to remove the typical smell of a brand-new product, then dry thoroughly.

 Do not use detergents or abrasive powders, as these will damage the finish.

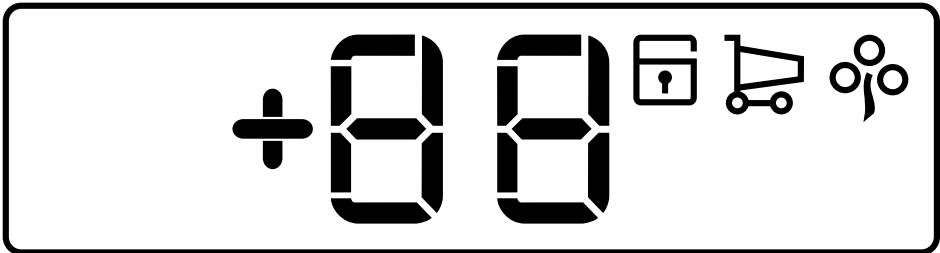
Control panel



- A - Appliance button ON/OFF
- B - Temperature regulation button
- C - Temperature and function indicator

- D - Function button
- E - Confirmation button

Display



+ Positive Temperature indicator

8.8 Temperature indicator

🔒 If on the Child Lock function is on

🛒 If on the Shopping function is on

✂️ If on the Eco Mode function is on

First switch on

After plugging the plug into the power outlet, if the display is not illuminated, press key (A), appliance on. For a correct storage of the food select the Eco Mode function that guarantee the following temperature is set: +5°C in the fridge

- To select a different temperature see "Temperature regulation".



Important

If the door remains ajar for some minutes, the internal lighting will turn off electronically; after this, the lighting function will be reset by closing and opening the door itself.

Switching off

The appliance is shut off by pressing key (A) for more than 1 second. During this, a countdown of the temperature from -3 -2 -1 will be shown.

Temperature regulation

The temperature may be regulated by pressing the key B.

By pressing the key B the current temperature setting flashes on the indicator and by pressing the key B again it is possible to change it.

You confirm the choice of the temperature either by pressing the key E, (you will hear the buzzer) or by waiting for some seconds (you will not hear the buzzer).

Then the indicator shows again the inside compartment temperature.

The newly selected-temperature must be reached after 24 hours.

After a long period out of use it is not necessary to set again the temperature because it remains stored.



Attention!

During the stability period by the first starting the temperature displayed can not correspond to the setting temperature. During this time it is possible that the temperature displayed is different than the setting temperature.

Functions Menu

By activating the key D the functions menu is operating.

Each function could be confirmed by pressing button E. If there is no confirmation after some seconds the display will go out from the menu and return in normal condition.

The following functions are indicated:



Child Lock function



Shopping function



Eco Mode function

Child Lock Function

The Child Lock function is activated by pressing key D (several times if necessary) until the corresponding icon

appears .

You must confirm the choice by pressing key E within few seconds.


You will hear the buzzer and the icon remains lighted.

In this condition any possible operation through the keys does not cause any change as long as this function is activated.

It is possible to de-activate the function at any time by pressing key D until the corresponding icon will flash and then key E.

Shopping Function

If you need to insert a large amount of warm food, for example after doing the grocery shopping, we suggest activating the Shopping function to chill the products more rapidly and to avoid warming the other food which is already in the refrigerator.

The Shopping function is activated by pressing key D (several times if necessary) until the corresponding icon appears .

You must confirm the choice by pressing key E within few seconds.

You will hear the buzzer and the icon remains lighted.

The Shopping function shuts off automatically after approximately 6 hours.

It is possible to de-activate the function at any time by pressing key D until the corresponding icon will flash and then key E.

Eco Mode Function

The Eco Mode function is activated by pressing key D (several times if necessary) until the corresponding icon

appears  (or setting the temperature at +5°C).

You must confirm the choice by pressing key E within few seconds.

You will hear the buzzer and the icon remains lighted.

In this condition the chosen temperatures are automatically set (+5°C), in the best conditions for storing food.

It is possible to de-activate the function at any time by changing the selected temperature in the compartment.

Use of the fridge compartment

The temperature of this compartment may be regulated between +2°C and +8°C.

During normal functioning the indicator shows the temperature inside the fridge.



Attention!

Difference between the temperature displayed and temperature setting is normal. Especially when:

- a new setting has recently been selected
- the door has been left open for a long time
- warm food has been placed in the compartment.

Holiday Function “H”

The Holiday function sets the temperature at + 15°C.

This function allows you to keep the refrigerator shut and empty during a long holiday period (e. g. the summer holidays) without the formation of a bad smell.

The Holiday Function H may be regulated by pressing the key B. By pressing the key B the current temperature setting flashes on the indicator. Press the key B again. When on the display appears the letter H confirm the choice of the temperature or by pressing the key E, (you will hear the buzzer) or by waiting for some seconds (you will not hear the buzzer).

Now the refrigerator is in the Holiday function in the energy- saving mode and the indicator shows the letter H. It is possible to de-activate the function at any time by changing the selected temperature in the compartment.



Attention!

The fridge compartment must be empty with Holiday function on.

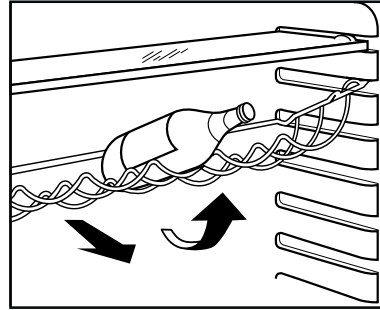
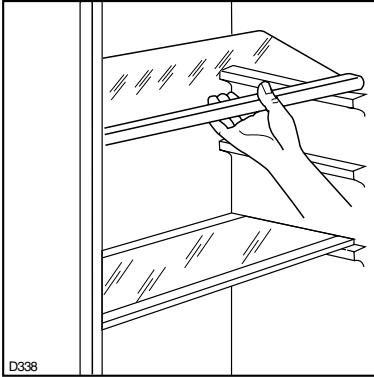
Fresh food refrigeration

To obtain the best performance:

- do not store warm food or evaporating liquids in the refrigerator;
- do cover or wrap the food, particularly if it has a strong flavour.
- Position food so that air can circulate freely round it.

Movable shelves

The walls of the refrigerator are equipped with a series of runners so that the shelves can be positioned as desired.



Positioning the door shelves

To permit storage of food packages of various sizes, the door shelves can be placed at different heights.

To make these adjustments proceed as follows: Gradually pull the shelf in the direction of the arrows until it comes free, then reposition as required.

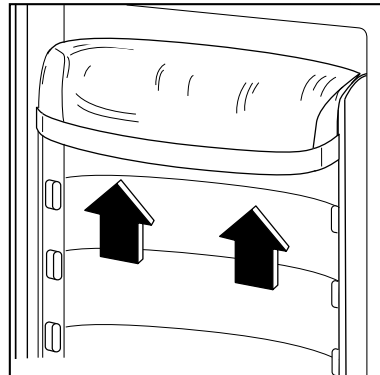
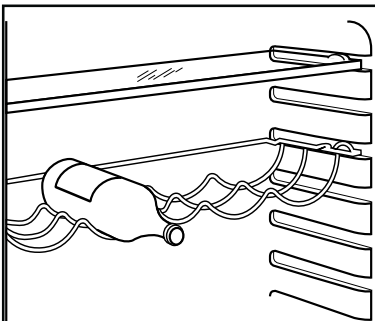
Bottle rack

Place bottles in the rack with the bottleneck to the front.

Important: Only store unopened bottles horizontally.

The bottle rack can be tilted for storing opened bottles.

To do this pull the bottle rack forward until it can be tilted upwards, then slide the front support into the next level up.

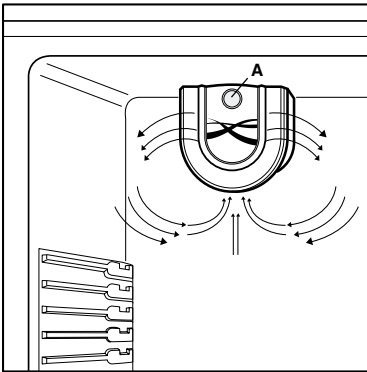


Air recycling

The refrigerator compartment is equipped with a device which can be turned on with the switch (A- see fig.). The green light, when on, means that the fan is working.

It is suggested that the device be used when the ambient temperature exceeds 25°C .

This device allows for rapid cooling of foods and a more uniform temperature in the compartment.



HINTS

Hints for refrigeration

Useful hints:

Meat (all types): wrap in polythene bags and place on the glass shelf above the vegetable drawer.

For safety, store in this way only one or two days at the most.

Cooked foods, cold dishes, etc.: these should be covered and may be placed on any shelf.


Fruit and vegetables: these should be thoroughly cleaned and placed in the special drawer(s) provided.

Butter and cheese: these should be placed in special airtight containers or wrapped in aluminium foil or polythene bags to exclude as much air as possible.

Milk bottles: these should have a cap and should be stored in the bottle rack on the door.

Bananas, potatoes, onions and garlic, if not packed, must not be kept in the refrigerator.

MAINTENANCE

 Unplug the appliance before carrying out any maintenance operation.



Warning

This appliance contains hydrocarbons in its cooling unit; maintenance and recharging must therefore only be carried out by authorized technicians.

Periodic cleaning

Many proprietary kitchen surface cleaners contain chemicals that can attack/damage the plastics used in this appliance. For this reason it is recommended that the outer casing of this appliance is only cleaned with warm water with a little washing-up liquid added.

Clean the inside with warm water and bicarbonate of soda.

Rinse and dry thoroughly.

Clean the condenser (black grill) and the compressor at the back of the appliance with a brush or a vacuum cleaner. This operation will improve the performance of the appliance and save electricity consumption.

Periods of non-operation

When the appliance is not in use for long periods, take the following precautions:

- remove the plug from the wall socket;
- remove all food;
- defrost and clean the interior and all accessories;
- leave the door ajar to allow air to circulate to prevent unpleasant smells.

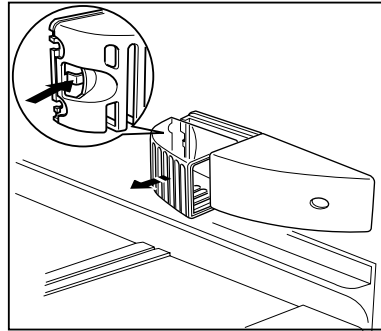
Interior light

If it becomes necessary to replace the lamp, press on the rear hook and at the same time slide the cover in the direction indicated by the arrow.



Attention

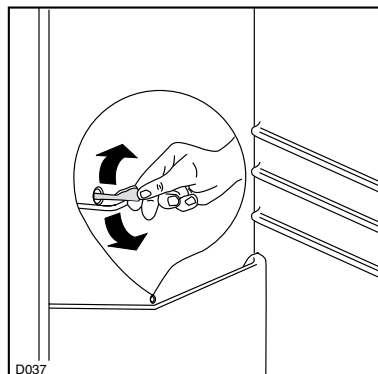
Replace the lamp with one of the same power (the maximum power is shown on the light diffuser).



Defrosting

Frost is automatically eliminated from the evaporator of the refrigerator compartment every time the motor compressor stops, during normal use. The defrost water drains out through a trough into a special container at the back of the appliance, over the motor compressor, where it evaporates.

It is important to periodically clean the defrost water drain hole in the middle of the refrigerator compartment channel to prevent the water overflowing and dripping onto the food inside. Use the special cleaner provided, which you will find already inserted into the drain hole.



TECHNICAL INFORMATION

Net Fridge Capacity lt.	378
Energy Consumption kWh/24h	0,403
Energy Consumption kWh/year	147
Dimensions mm	
High	1800
Width	600
Depth	650

The technical information are situated in the rating plate on the internal left side of the appliance.

CUSTOMER SERVICE AND SPARE PARTS

If the appliance is not functioning properly, check that:

- the plug is firmly in the wall socket and the mains power switch is on;
- there is an electricity supply (find out by plugging in another appliance);
- If there are water drops on the bottom of the cabinet, check that the defrost water drain opening is not obstructed (see “Defrosting” section).

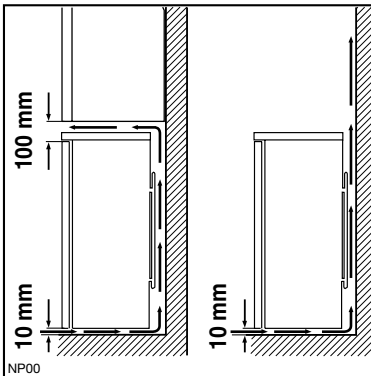
- If your appliance is still not working properly after making the above checks, contact the nearest service centre.

To obtain fast service, it is essential that when you apply for it you specify the model and serial number of your appliance which can be found on the guarantee certificate or on the rating plate located inside the appliance, on the bottom left-hand side.

INSTALLATION

Location

The appliance should be installed well away from sources of heat such as radiators, boilers, direct sunlight etc. Ensure that air can circulate freely around the back of the cabinet. To ensure best performance, if the appliance is positioned below an overhanging wall unit, the minimum distance between the top of the cabinet and the wall unit must be at least 100 mm. Ideally, however, the appliance should not be positioned below overhanging wall units. Accurate levelling is ensured by one or more adjustable feet at the base of the cabinet.



Attention

It must be possible to disconnect the appliance from the mains power supply; the plug must therefore be easily accessible after installation.

Electrical connection

Before plugging in, ensure that the voltage and frequency shown on the serial number plate correspond to your domestic power supply. Voltage can vary by $\pm 6\%$ of the rated voltage. For operation with different voltages, a suitably sized auto-transformer must be used.

The appliance must be earthed.

The power supply cable plug is provided with a contact for this purpose. If the domestic power supply socket is not earthed, connect the appliance to a separate earth in compliance with current regulations, consulting a specialist technician.

The Manufacturer declines all responsibility if the above safety precautions are not observed.



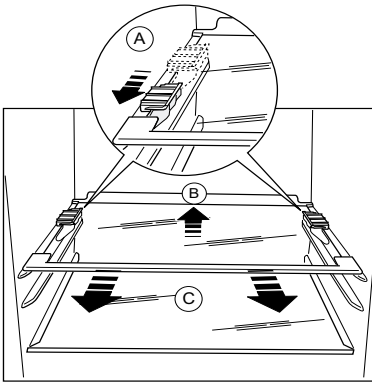
This appliance complies with the following E.E.C. Directives:

- **87/308 EEC** of 2/6/87 relative to radio interference suppression.
- **73/23 EEC** of 19.2.73 (Low Voltage Directive) and subsequent modifications;
- **89/336 EEC** of 3.5.89 (Electromagnetic Compatibility Directive) and subsequent modifications.

Shelf holders

Your appliance is equipped with shelf retainers that make it possible to secure the shelves during transportation.

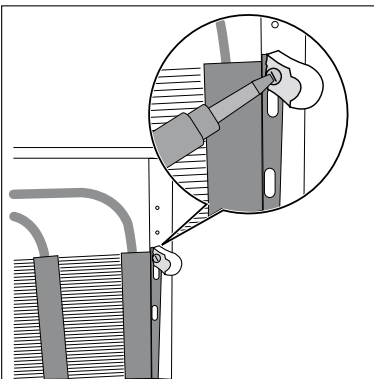
To remove them proceed as follows:
Move the shelf holders in the direction of the arrow, raise the shelf from the rear and push it forward until it is freed and remove the retainers.



Rear spacers

In the appliance, there are two spacers which must be fitted as shown in the figure .

Slacken the screws and insert the spacer under the screw head, then re-tighten the screws.

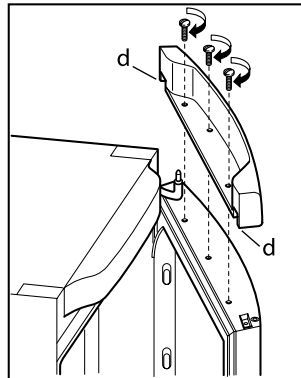


Door reversibility

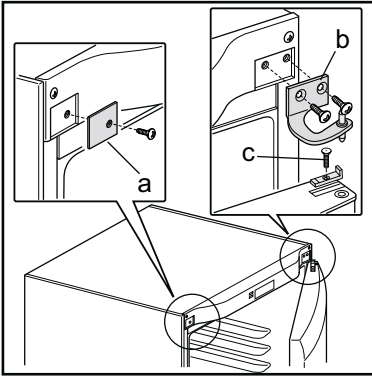
Before carrying out any operations, remove the plug from the power socket.

To change the opening direction of the door, proceed as follows:

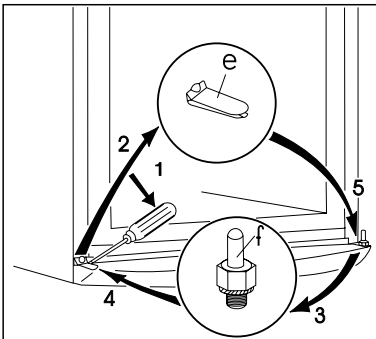
- To carry out the following operations, we suggest that this be made with another person that will keep a firm hold on the door of the appliance during the operations.
- Open the door with the appliance in the upright position. Unscrew the screws and remove the upper door plastic trim.
- Remove the little plastic cover from the door plastic trim and refit on the opposite side (d).



- Lay down the appliance back side down.
- Remove the screw of the hinge cover plug (a).
- Unscrew the upper hinge and remove it (b).
- Unscrew the screw and remove the door stopper (c).
- Remove the door.

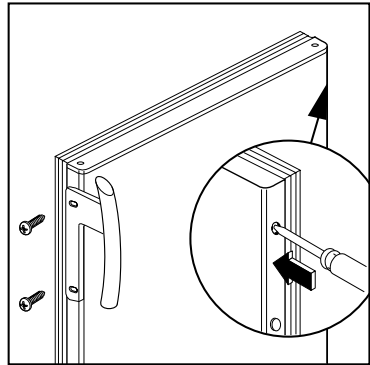


- Remove using a tool the cover (e) unscrew the lower hinge pivot (f) and place it on the opposite side.
- Reinsert the cover (e) on the opposite side.



- Reinsert the door .
- Pay attention that the front board of the door is parallel to the front board of the top.
- Fix the door stopper on the opposite side.
- Position and fix the upper hinge (that can be found in the instruction for use bag) on the opposite side .
- Fix the screw of the new cover hinge (that can be found in the instruction for use bag).

- Lift up the appliance to vertical position.
- Open the door and reposition the upper door plastic trim with screws.



- Fix the handle on the opposite side.

! Reposition, level the appliance, wait for at least two hours and then connect it to the power socket.

In case you do not want to carry out the above mentioned operations, contact the nearest After Sales Service Force. The After Sales Service specialist will carry out the reversibility of the doors at your cost.

! **Warning**

After having reversed the opening direction of the door check that all the screws are properly tightened and that the magnetic seal adheres to the cabinet. If the ambient temperature is cold (i.e. in Winter), the gasket may not fit perfectly to the cabinet. In that case, wait for the natural fitting of the gasket or accelerate this process by heating up the part involved with a normal hairdrier. Lay down the appliance back side down.

Bem-vindo ao mundo Electrolux

Obrigado por ter escolhido adquirir um produto de primeira classe da Electrolux, que esperamos lhe traga muito prazer no futuro. A ambição da Electrolux é oferecer uma vasta variedade de produtos de qualidade que tornem a sua vida ainda mais confortável. Pode encontrar alguns exemplos na capa deste manual. Tire alguns minutos para estudar este manual para que possa começar a tirar partido dos benefícios do seu novo aparelho. Nós prometemos que lhe irá proporcionar uma experiência superior e confortável como utilizador. Boa sorte!

Os símbolos que se seguem são utilizados neste manual



Informações importantes relativas à segurança pessoal e como evitar danos no aparelho




Informações gerais e sugestões



Informações ambientais



O símbolo  no produto ou na embalagem indica que este produto não pode ser tratado como lixo doméstico. Em vez disso, deve ser entregue ao centro de recolha selectiva para a reciclagem de equipamento eléctrico e electrónico.

Ao garantir uma eliminação adequada deste produto, irá ajudar a evitar eventuais consequências negativas para o meio ambiente e para a saúde pública, que, de outra forma, poderiam ser provocadas por um tratamento incorrecto do produto. Para obter informações mais pormenorizadas sobre a reciclagem deste produto, contacte os serviços municipalizados locais, o centro de recolha selectiva da sua área de residência ou o estabelecimento onde adquiriu o produto.

ÍNDICES

Advertências e conselhos importantes	22	Conselhos	30
Uso e funcionamento	25	Conselhos para a refrigeração	30
Limpeza das partes internas	25	Manutenção	30
Painel de comandos	25	Limpeza periódica	30
Display	25	Paragem prolongada	31
Primeira Utilização do Aparelho	26	Lâmpada de iluminação	31
Desligar o Aparelho	26	Descongelação	31
Regulação de Temperatura	26	Dados Técnicos	32
Funções do Menu	26	Assistência técnica e peças de substituição	32
Utilização do compartimento frigorífico	27	Instalação	33
Função Holiday	28	Colocação	33
Refrigeração dos alimentos	28	Ligação eléctrica	33
Prateleiras amovíveis	29	Fixadores para prateleiras	34
Prateleira para garrafas	29	Espaçadores posteriores	34
Colocação das prateleiras da porta	29	Reversibilidade da porta	34
Recirculação de ar	30		

ADVERTÊNCIAS E CONSELHOS IMPORTANTES

É muito importante que este manual de utilização acompanhe o aparelho para garantir uma futura utilização correcta. Se o aparelho for vendido ou emprestado a uma outra pessoa, o manual de utilização deve, como acima se faz notar, acompanhá-lo, de maneira que o utilizador possa ser informado do seu funcionamento, das advertências e conselhos. Se este aparelho, munido de fecho magnético, veio substituir um outro que tinha portas com fecho de mola, aconselhamos a inutilizar este fecho, antes do aparelho ser posto definitivamente de lado. Esta precaução procura evitar que crianças, brincando, se possam fechar no aparelho o que seria altamente perigoso.

Essas advertências têm por fim garantir a segurança dos utilizadores. Agradecemos, portanto, que leia o manual atentamente, antes de instalar e utilizar o aparelho.

Segurança

- Este aparelho não se destina a ser utilizado por pessoas (incluindo crianças) com capacidades mentais, sensoriais e físicas reduzidas, ou com falta de experiência e conhecimento, a não ser que sejam supervisionadas ou recebam instruções relativamente à utilização do aparelho, por parte de uma pessoa responsável pela sua segurança.

As crianças devem ser supervisionadas para garantir que não brincam com o electrodoméstico.

- É perigoso modificar ou tentar modificar as características deste aparelho.
- Este aparelho é pesado. Tenha o maior cuidado quando o deslocar
- Não consuma certos produtos, tais como gelados, imediatamente após terem saído do aparelho; a temperatura muito baixa a que se encontram pode provocar queimaduras.
- Este aparelho contém hidrocarbonetos no circuito refrigerante; portanto, a manutenção e a recarga devem ser efectuadas exclusivamente por pessoal autorizado pelo produtor.
- Preste a máxima atenção ao deslocar o aparelho, para não danificar as partes do circuito refrigerante, evitando assim possíveis saídas de fluido.
- O aparelho não deve ser instalado perto de elementos de aquecimento ou fogões de gás.
- Evite a exposição prolongada do aparelho aos raios do sol.
- A parte de trás do aparelho deve receber uma suficiente ventilação e deve ser evitado qualquer dano ao circuito refrigerante.
- Somente para os congeladores (excepto os de encaixe): a melhor colocação é na cave.

Assistência

- Se uma eventual modificação da instalação eléctrica, na casa do utilizador, tiver de ser feita para tornar

possível a instalação do aparelho, deve, esta, ser efectuada por pessoal qualificado.

- Este aparelho deve ser assistido por um Centro de Assistência autorizado, sendo apenas aplicadas peças de origem.
- Em caso de avaria, não tente você mesmo, reparar o aparelho. As reparações executadas por pessoas inexperientes, podem causar danos físicos e materiais (aumentando as avarias a serem reparadas). Faça apelo ao seu Centro de Assistência mais próximo e insista em peças genuínas.

Utilização

- Os frigoríficos e/ou congeladores domésticos destinam-se, unicamente, à conservação e/ou congelação de alimentos.
- Os melhores rendimentos são conseguidos com temperaturas ambiente incluídas entre +18°C e +43°C (Classe T); +18°C e +38°C (Classe ST); +16°C e +32°C (Classe N); +10°C e +32°C (Classe SN); a classe a que pertence o aparelho é indicada na placa de matrícula (posta na cela ao lado do compartimento dos legumes).
Atenção: com temperaturas ambiente não incluídas nas indicadas para a classe climática a que pertence o produto, é preciso cumprir as indicações seguintes: quando a temperatura ambiente descer abaixo do valor mínimo,

pode não ser garantida a temperatura de conservação no compartimento congelador; portanto, aconselha-se a consumir rapidamente os alimentos nele contidos.

- Um produto descongelado não deve, em nenhum caso, voltar a ser congelado.
- Siga as indicações do fabricante para a conservação e/ou congelação dos alimentos.
- O revestimento interior do aparelho em composto de pequenos tubos por onde passa o refrigerante. Se estes tubos forem danificados o aparelho ficará irremediavelmente avariado, provocando a perda dos alimentos no seu interior. NÃO UTILIZE OBJECTOS PONTEAGUDOS para raspar o gelo acumulado. Esse gelo pode ser raspado utilizando a espátula que é fornecida com o aparelho. Para eliminar grandes quantidades de gelo acumulado, é aconselhável deixá-lo derreter. Veja as instruções para a descongelação.
- Não coloque no compartimento/congelador a baixa temperatura, garrafas ou latas com bebidas gaseificadas dado que se cria uma pressão elevada no interior da garrafa e/ou lata havendo o perigo de este explodir. Desta explosão resultariam danos graves para o aparelho.

Instalação

- Durante o normal funcionamento o condensador e o compressor, colocados na parte de trás do aparelho, aquecem sensivelmente. Por razões de segurança a ventilação deve ser como indicado na respectiva Figura.

Atenção: mantenha as aberturas para a ventilação livres de qualquer obstrução.


- O aparelho aquece, sensivelmente, ao nível do condensador e do compressor. Certifique-se que o ar circula, livremente, à volta do aparelho. Uma ventilação insuficiente ocasionaria um mau funcionamento, danos para o aparelho e perda dos alimentos no seu interior. Siga as instruções para a correcta instalação do aparelho.
- Assegure-se, quando instalar o aparelho, que este não repousa sobre o cabo de alimentação eléctrica.
Importante: se o cabo de alimentação se danificar, deverá ser substituído por um cabo especial ou por um conjunto, disponíveis junto do construtor ou do serviço de assistência técnica.
- Os componentes do aparelho que aquecem devido ao seu funcionamento não devem estar expostos. Sempre que possível as costas do aparelho devem ficar encostadas a uma parede
- Desligue sempre a tomada de

corrente antes de proceder à limpeza ou qualquer operação de manutenção do aparelho.

- Ao transportar o aparelho na horizontal, pode acontecer que o óleo contido no compressor escorra para o circuito refrigerante. É portanto aconselhável esperar pelo menos duas horas antes de ligar o aparelho à corrente.



Protecção do ambiente

Este aparelho não contém, no seu circuito refrigerante e nas suas matérias isolantes, gases nocivos à camada de ozono. Mesmo assim este aparelho deve, quando for destruído, receber os cuidados convenientes, de acordo com as disposições em vigor para a protecção do meio ambiente. Os materiais utilizados neste aparelho, marcados com o símbolo  são recicláveis.

i USO E FUNCIONAMIENTO

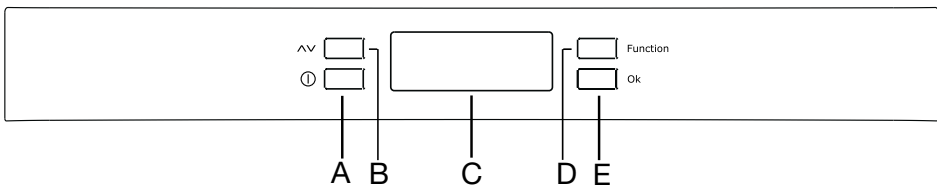
Limpeza das partes internas

Estando o aparelho convenientemente instalado, antes de o utilizar, aconselhamos a sua limpeza cuidadosa com água tépida e sabão neutro para retirar o cheiro característico do “novo”.



Não utilize detergentes ou pós abrasivos, que podem danificar os acabamentos. Enxague e seque cuidadosamente.

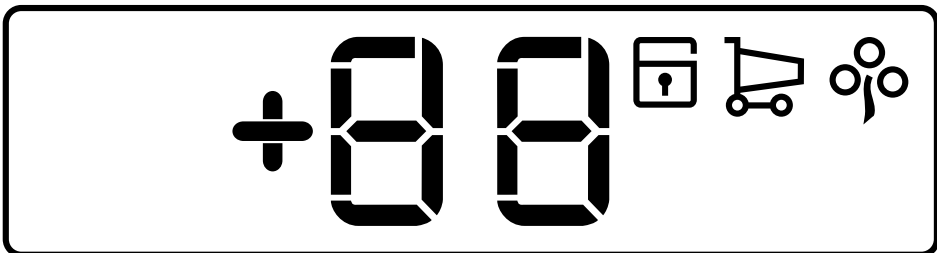
Painel de comandos



A - Tecla para ligar/desligar o aparelho
B - Tecla de regulação de temperatura
C - Display de exibição temperaturas e funções

D - Tecla de activação das funções
E - Tecla de confirmação

Display



+ Indicador de temperatura positiva

8.8 Indicador da temperatura (dígitos)

🔒 Se ligado, indica que está activa a função Child Lock

🛒 Se ligado, indica que está activa a função Shopping

👤 Se ligado, indica que está activa a função Eco Mode

Primeira Utilização do Aparelho

Após ter introduzido a ficha na tomada de corrente, se o ecrã não se iluminar carregue na tecla (A).

Para um correcto armazenamento dos alimentos seleccione a Função Eco Mode que garante a seguinte temperatura:

cerca de +5°C no frigorífico.

- Para seleccionar uma temperatura diferente veja a secção "Regulação de Temperatura".



Importante

Se a porta permanecer entreaberta por mais de 7 minutos, a luz interna desligar-se-á automaticamente.

A função de luz interna será restaurada abrindo e fechando a porta do frigorífico.

Desligar o Aparelho

Para desligar o aparelho prima a tecla (A) durante mais de 1 segundo.

Será iniciada uma contagem decrescente da temperatura de -3 -2 -1 .

Regulação de Temperatura

A temperatura pode ser regulada pressionando a tecla (B).

Pressionando a tecla (B), a temperatura configurada aparece a piscar no display.

Para confirmar a temperatura pretendida, pressione a tecla (E), (ouvirá o sinal sonoro) ou aguarde durante alguns segundos (não ouvirá o sinal sonoro).

Depois o display volta a indicar a temperatura interna do compartimento. A temperatura programada será atingida em 24h.

Após um longo período sem utilização não será necessário ajustar novamente a temperatura pois esta fica em memória.



Atenção!

Durante o período de estabilização na primeira colocação em função, a temperatura visualizada pode não corresponder à temperatura configurada. Durante este período é possível que a temperatura visualizada seja diferente da temperatura configurada.

Funções do Menu

Pressionando a tecla (D) acciona as funções do Menu. Cada função pode ser confirmada pressionando a tecla (E). Se não carregar na tecla (E), após alguns segundos, o display volta ao ecrã/informação anterior

As seguintes funções são indicadas:



Função Child Lock



Função Shopping



Função Eco Mode

Função Child Lock

A função Child Lock é activada carregando na tecla (D) até aparecer o

símbolo correspondente .

Deverá confirmar a sua escolha pressionando a tecla (E) por alguns segundos.

Irá ouvir um sinal sonoro e o símbolo

 permanece ligado.

Com esta função activada não será possível fazer alterações nas definições programadas anteriormente.

É possível desactivar a função a qualquer momento carregando a tecla

(D) até o símbolo  começar a piscar e depois pressionando a tecla (E).

Função Shopping

Se necessitar de colocar uma grande quantidade de alimentos quentes/mornos, por exemplo, depois de estes terem sido comprados, sugerimos que active a função Shopping para refrigerar mais rapidamente evitando assim que os alimentos que acabou de colocar dentro do seu aparelho aqueçam os que já lá estavam anteriormente frescos. A função Shopping é activada carregando na tecla (D) até aparecer o

símbolo correspondente .


Deverá confirmar a sua escolha pressionando a tecla (E) por alguns segundos.

Irá ouvir um sinal sonoro e o símbolo

 permanece ligado.

Esta função desliga-se automaticamente após 6 horas.

É possível desactivar a função a

qualquer momento carregando a tecla (D) até o símbolo  começar a piscar e depois pressionando a tecla (E).

Função Eco Mode

A função Eco Mode é activada carregando na tecla (D) até aparecer o

símbolo correspondente  (or ajustando a temperatura para +5°C).

Deverá confirmar a sua escolha pressionando a tecla (E) por alguns segundos.

Irá ouvir um sinal sonoro e o símbolo

 permanece ligado.

Nesta função as temperaturas são definidas automaticamente (+ 5°C), mantendo as melhores condições de conservação dos alimentos.

É possível desactivar a função a qualquer momento alterando a temperatura seleccionada no compartimento.

Utilização do compartimento frigorífico

A temperatura do frigorífico pode ser configurada entre +2°C e +8°C.

Durante o funcionamento normal é visualizada a temperatura do compartimento frigorífico.



Atenção!

É normal ter uma diferença entre a temperatura visualizada e aquela configurada. Sobretudo quando:

- foi recentemente alterada a temperatura configurada
- a porta foi mantida aberta por muito tempo
- foram introduzidos alimentos quentes.

Função Holiday “H”

No regime de férias, a temperatura TEÓRICA do frigorífico é regulada para + 15 °C. Este regime permite- lhe deixar o frigorífico vazio fechado, em vez de aberto, - sem que se verifique uma formação de cheiros ou de bolor - durante uma ausência mais prolongada (p. ex. férias) .
Vantagem: a porta não poderá, assim, fechar- se acidentalmente ou ser fechada, por descuido, por pessoas que tenham eventualmente acesso à casa, durante a sua ausência. Sem o regime de férias, isso daria origem à formação de cheiros e de bolor.

A função Holiday H pode ser ajustada premindo a tecla B. Ao premir a tecla B, a actual definição de temperatura pisca no indicador. Prima novamente a tecla B. Quando no visor for apresentada a letra H, confirme a escolha da temperatura premindo a tecla E (ouvirá o aviso sonoro) ou aguarde alguns segundos (não ouvirá o aviso sonoro).

O frigorífico está agora na função Holiday no modo de poupança de energia e o indicador apresenta a letra H.

É possível desactivar a função a qualquer altura mudando a temperatura seleccionada no compartimento.



Atenção!

Não coloque produtos no frigorífico enquanto ele estiver a funcionar no regime de férias.

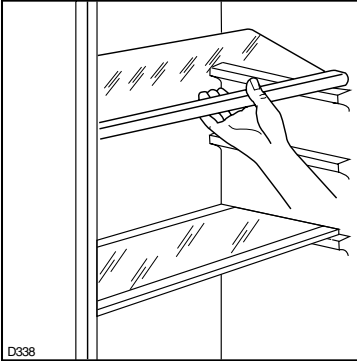
Refrigeração dos alimentos

Para obter um melhor rendimento do seu aparelho:

- reparta as provisões de maneira a que o ar possa circular, facilmente, à volta delas;
- não introduza, na caixa, alimentos ainda quentes ou líquidos em evaporação;
- cubra os alimentos, de especial modo se são aromáticos.

Prateleiras amovíveis

Nas paredes do compartimento há calhas que permitem colocar as prateleiras a diferentes alturas.



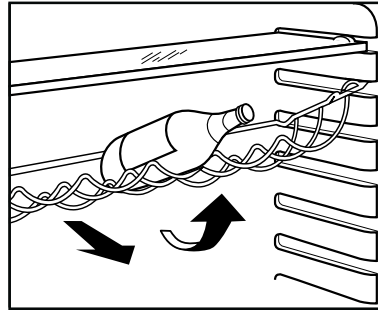
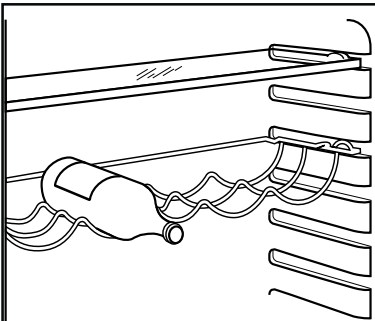
Prateleira para garrafas

Colocar as garrafas da prateleira com a boca para frente.

Atenção: Só guardar deitadas garrafas que ainda não tenham sido abertas.

Para guardar garrafas já abertas, a prateleira para garrafas pode ser colocada na posição inclinada.

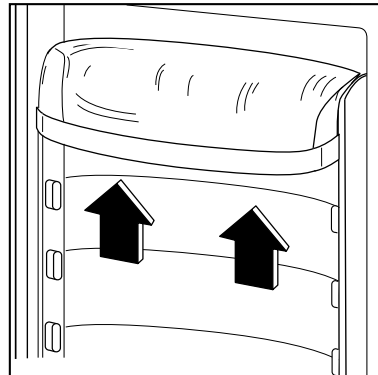
Para tal, puxe a prateleira para garrafas para frente, até que seja possível levantá-la. Em seguida, colocar a prateleira da frente em um nível mais alto.



Colocação das prateleiras da porta

Pode modificar a posição das prateleiras da porta. Para isso proceda da seguinte forma:

Empurre gradualmente a prateleira no sentido que indica a seta até desencaixá-la. Depois monte-a no lugar desejado fazendo a operação inversa.

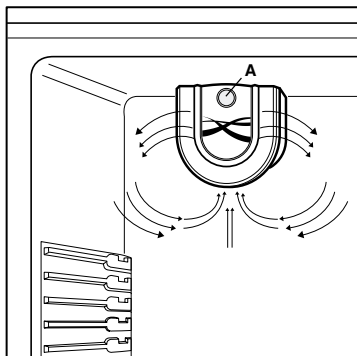


Recirculação de ar

O compartimento geladeira é dotado de uma ventoinha especial que é ativada agindo no interruptor (A-ver fig.), o sinal luminoso aceso significa que a ventoinha está funcionando.

Aconselha-se o uso da ventoinha quando a temperatura ambiente ultrapassa os 25°C.

Este dispositivo permite um arrefecimento rápido dos alimentos e uma uniformidade melhor da temperatura dentro do compartimento.



i CONSELHOS

Conselhos para a refrigeração

Carne (de qualquer tipo): envolva esses alimentos em sacos plásticos e coloque-as na divisória imediatamente acima das caixas para legumes.

O período de conservação é de 1 a 2 dias, no máximo.

Alimentos cozidos, pratos frios, etc: coloque-os, bem cobertos, numa prateleira qualquer.

Frutas e legumes: nas caixas de legumes depois de lavados.

Bananas, batatas, cebola e alho, se não forem preparados, não se conservam no refrigerador.

MANUTENÇÃO

! Antes de qualquer intervenção no aparelho, aconselhamos que se desligue a tomada de corrente.

Aviso



Este electrodoméstico contém hidrocarbonetos no sistema de refrigeração; a manutenção e a recarga deve ser, portanto, executada apenas por técnicos autorizados.

Limpeza periódica

Muitos detergentes específicos para as superfícies da cozinha contêm agentes químicos que podem corromper/danificar as partes em plástico presentes neste aparelho.

Aconselha-se, por isso, de limpar o revestimento externo deste aparelho só com água quente juntamente com uma pequena quantidade de detergente líquido para a louça.

Lave as paredes e acessórios com água tépida e bicarbonato de soda. Enxague e seque cuidadosamente; limpe o condensador e o motor-compressor com uma escova ou um aspirador. Esta operação vai melhorar o funcionamento com conseguinte poupança de energia.

Paragem prolongada

No caso de se ausentar por um período prolongado, desligue a tomada de corrente, esvazie, degele e limpe o aparelho.

Mantenha as portas entre-abertas durante toda a não utilização, para facilitar a circulação do ar no interior e evitar a formação de cheiros desagradáveis.

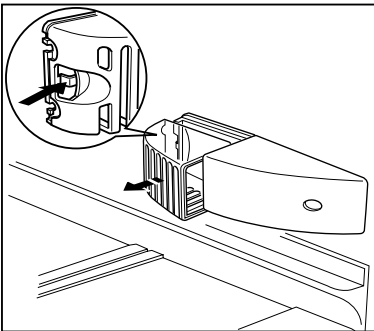
Lâmpada de iluminação

Para a eventual substituição da lâmpada apertar o engate traseiro e simultaneamente desenfiar a tampa no sentido das setas.



Atenção

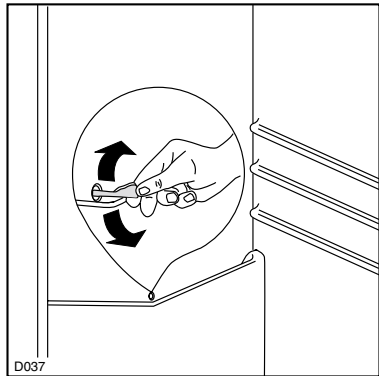
Substituir a lâmpada com uma de potência igual (a potência máxima está contida no difusor de luz).



Descongelação

A descongelação do refrigerador dá-se automaticamente durante cada período de paragem do compressor. A água proveniente do descongelação é evacuada para um recipiente situado na parte detrás do aparelho, por cima do compressor, e onde ela se evapora.

Não se esqueça de limpar periodicamente o orifício de escoamento de água do descongelação que se encontra no centro da goteira do compartimento refrigerador para evitar que a água possa transbordar e cair sobre os alimentos. Utilize para esse efeito a pequena barra que se encontra no orifício.



DADOS TÉCNICOS

Capacidade líquida em litros do frigorífico	378
Consumo energético em kWh/24h	0,403
Consumo energético em kWh/ano	147
Dimensões em mm	
Altura	1800
Largura	600
Profundidade	650

Os dados técnicos são indicados na placa de matrícula que se encontra no lado esquerdo interno do aparelho.

ASSISTÊNCIA TÉCNICA E PEÇAS DE SUBSTITUIÇÃO

Se o aparelho não funcionar verifique:

- Se a ficha está bem introduzida na tomada e se há corrente na rede.
- No caso de haver vibrações ou ruídos verifique se o aparelho está em contacto com moveis que podem transmitir ou ampliar ruídos e vibrações.
- Verifique também se as tubagens do sistema refrigerante não vibram. Se houver restos de água no interior do frigorífico verifique se o orifício de descarga não está obstruído.

Se depois de todas estas verificações o problema persistir dirija-se ao seu vendedor ou o serviço de assistência mais perto da sua residência.

Para obter uma assistência mais rápida indique os dados da placa de identificação do aparelho que se encontra no interior do electrodoméstico na parede do fundo no lado esquerdo, e também o modelo número de serie e certificado de garantia.

INSTALAÇÃO

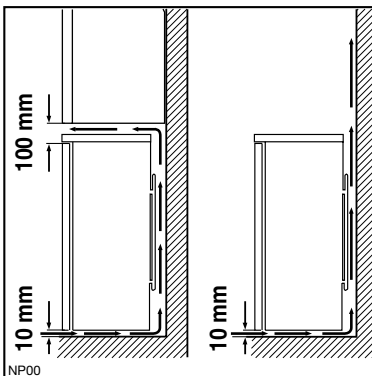
Colocação

Coloque o aparelho longe de qualquer fonte de calor (aquecimento, fogões, ou raios solares demasiado intensos). Verifique que nas partes posterior, superior e inferior o ar pode circular livremente. Para um melhor funcionamento verifique que a parte superior tem pelo menos 100 mm de distância de algum móvel suspenso por cima do aparelho. A solução preferível é indicada na (sem móvel). Um ou vários pés niveladores situados na base têm a função de nivelar o aparelho correctamente.



Importante

O aparelho deve poder ser desligado da rede; uma vez realizada a instalação, portanto, é necessário que a ficha fique acessível.



Ligação eléctrica

Verifique, antes de ligar o aparelho, se a voltagem e a frequência indicadas na placa sinalética correspondem às da sua rede. Tolerância admitida na voltagem nominal: $\pm 6\%$. Para a adaptação do aparelho a voltagens diferentes, é indispensável a adjunção de um auto-transformador de uma potência adequada.

Verifique se a tomada de corrente da parede está em bom estado e apta a receber a ficha do fio de alimentação do aparelho.

Esta última está conforme às normas em vigor e possui uma entrada para a ligação à terra. Essa ficha pode ser ligada a qualquer tomada de corrente desde que esta tenha uma ponta de ligação à terra. No caso em que a tomada não tenha a ligação à terra, ligar o aparelho a uma instalação de ligação à terra separada, conforme as normas em vigor, consultando para isso um técnico especializado.

A Casa Construtora declina toda e qualquer responsabilidade no caso de esta norma contra os acidentes não ser cumprida e se verificarem acidentes originados por deficiente ligação à terra, ou falta dela.

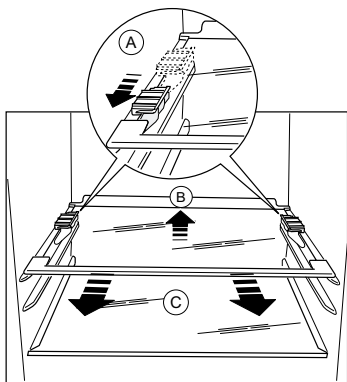
Este aparelho está conforme as seguintes Directrizes Comunitárias:

- 87/308 de 2/6/87 respeitante à supressão das interferências radio-eléctricas.
- 73/23 CEE 19/02/73 (Baixa Tensão) e sucessivas modificações;
- 89/336 CEE 03/05/89 (Compatibilidade Electromagnética) e sucessivas modificações.

Fixadores para prateleiras

O seu aparelho é equipado com fixadores para prateleiras que permitem de bloquear as prateleiras durante o transporte.

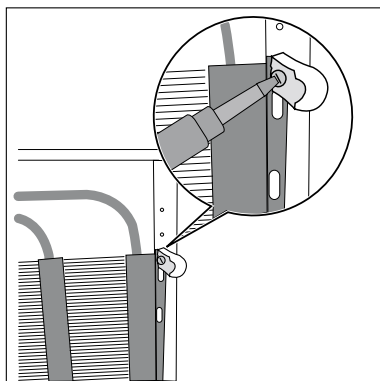
Para removê-los executar quanto segue: mexer os fixadores de prateleiras no sentido da seta, levantar o vidro na parte traseira e empurrá-lo para a frente até liberá-lo e remover os fixadores.



Espaçadores posteriores

No interior do aparelho encontram-se dois espaçadores que não devem ser montados nas figuras.

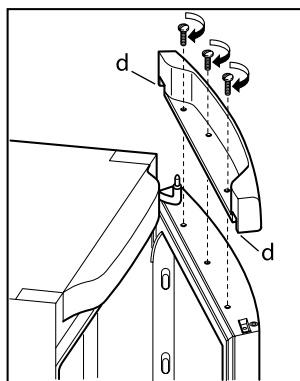
Desapertar os parafusos, inserir o espaçador debaixo da cabeça do parafuso e voltar a apertar.



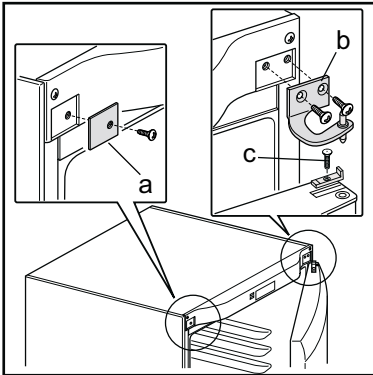
Reversibilidade da porta

Antes de levar a cabo qualquer operação, remova a ficha da tomada. Para mudar a direcção de abertura da porta proceda do seguinte modo:

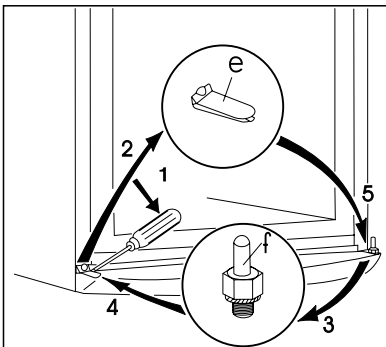
- Para levar a cabo as seguintes operações, nós sugerimos que o faça com outra pessoa que possa segurar firmemente a porta do aparelho durante as operações.
- Abra a porta com o aparelho na posição vertical. Desaperte os parafusos e remova a parte superior de plástico da porta.
- Remova a bucha e reposicione no lado contrário (d).



- Deite o aparelho com a parte traseira para baixo.
- Remova o parafuso da cobertura da dobradiça (a)
- Desaparafuse a dobradiça superior e remova-a (b)
- Desaparafuse e retire o travão da porta (c)
- Remova a porta.
- Remova usando uma ferramenta a capa (e), desaparafuse o pino no eixo da dobradiça inferior (f) e reaparafuse no lado oposto.

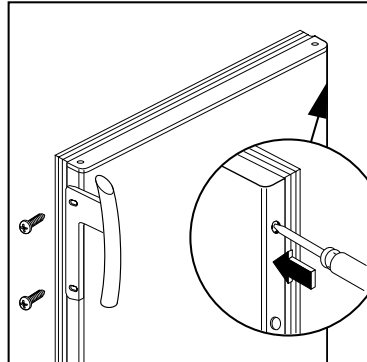


- Reinsira a cobertura (e) no lado oposto.
- Reinsira a porta.



- Preste atenção à parte da frente da porta, que é paralela à parte superior.
- Coloque o travão da porta no lado oposto.
- Posicione e fixe a dobradiça superior (que pode ser encontrada no saco das instruções de utilização) no lado oposto.
- Fixe o parafuso da nova cobertura da dobradiça (que pode ser encontrada no saco das instruções de utilização).
- Eleve o aparelho para a posição vertical.

- Abra a porta e reposicione a parte superior de plástico da porta com parafusos.



- Fixe a pega no lado oposto.

! Reposicione, eleve o aparelho, espere pelo menos duas horas antes de ligue na ficha de alimentação.

Em qualquer caso, se não desejar levar a cabo as operações acima descritas, contacte o Concessionário de Assistência Técnica mais próximo. O Concessionário, especialista no serviço pós venda levará a cabo a reversibilidade das portas.

! **Aviso**

Depois de reverter a direcção de abertura da porta, verifique que todos os parafusos estão correctamente apertados e que o selo magnético adere ao aparelho.

Se a temperatura ambiente é fria, (ex. no Inverno), a borracha pode não aderir perfeitamente ao aparelho. Em qualquer caso, espere pelo natural ajustamento da borracha, ou acelere este processo aquecendo a parte não aderente com um secador de cabelo.

www.electrolux.com

www.electrolux.pt