



EN Hob
DE Kochfeld
IT Piano cottura

User Manual 2
Benutzerinformation 17
Istruzioni per l'uso 34



CONTENTS

1. SAFETY INFORMATION.....	3
2. SAFETY INSTRUCTIONS.....	4
3. PRODUCT DESCRIPTION.....	7
4. DAILY USE.....	7
5. HINTS AND TIPS.....	8
6. CARE AND CLEANING.....	9
7. TROUBLESHOOTING.....	10
8. INSTALLATION.....	11
9. TECHNICAL INFORMATION.....	14
10. ENERGY EFFICIENCY.....	15

WE'RE THINKING OF YOU

Thank you for purchasing an Electrolux appliance. You've chosen a product that brings with it decades of professional experience and innovation. Ingenious and stylish, it has been designed with you in mind. So whenever you use it, you can be safe in the knowledge that you'll get great results every time.

Welcome to Electrolux.

Visit our website for:



Get usage advice, brochures, trouble shooter, service information:
www.electrolux.com



Register your product for better service:
www.registerelectrolux.com



Buy Accessories, Consumables and Original spare parts for your appliance:
www.electrolux.com/shop

CUSTOMER CARE AND SERVICE

Always use original spare parts.

When contacting our Authorised Service Centre, ensure that you have the following data available: Model, PNC, Serial Number.

The information can be found on the rating plate.



Warning / Caution-Safety information



General information and tips



Environmental information

Subject to change without notice.

1. SAFETY INFORMATION

Before the installation and use of the appliance, carefully read the supplied instructions. The manufacturer is not responsible if an incorrect installation and use causes injuries and damages. Always keep the instructions with the appliance for future reference.

1.1 Children and vulnerable people safety


- This appliance can be used by children aged from 8 years and above and persons with reduced physical, sensory or mental capabilities or lack of experience and knowledge if they have been given supervision or instruction concerning use of the appliance in a safe way and understand the hazards involved.
- Do not let children play with the appliance.
- Keep all packaging away from children.
- Keep children and pets away from the appliance when it operates or when it cools down. Accessible parts are hot.
- If the appliance has a child safety device, we recommend you activate it.
- Cleaning and user maintenance shall not be made by children without supervision.
- Children of less than 3 years should be kept away unless continuously supervised.

1.2 General Safety

- The appliance and its accessible parts become hot during use. Do not touch the heating elements.
- Do not operate the appliance by means of an external timer or separate remote-control system.
- Unattended cooking on a hob with fat or oil can be dangerous and may result in fire.
- Never try to extinguish a fire with water, but switch off the appliance and then cover flame e.g. with a lid or a fire blanket.
- Do not store items on the cooking surfaces.

- Metallic objects such as knives, forks, spoons and lids should not be placed on the hob surface since they can get hot.
- Do not use a steam cleaner to clean the appliance.
- Remove any spillage from the lid before opening. Let the hob surface cool down before closing the lid.
- If the supply cord is damaged, it must be replaced by the manufacturer, an authorized Service or similarly qualified persons in order to avoid a hazard.
- Where the appliance is directly connected to the power supply, an all-pole isolating switch with a contact gap is required. Complete disconnection in compliance with the conditions specified in overvoltage category III must be guaranteed. The earth cable is excluded from this.
- When you route the mains cable, make sure that the cable doesn't come into direct contact (for example using insulating sleeving) with parts that can reach temperatures of more than 50°C above room temperature.

2. SAFETY INSTRUCTIONS

This appliance is suitable for the following markets: 

2.1 Installation



WARNING!

Only a qualified person must install this appliance.

- Remove all the packaging.
- Do not install or use a damaged appliance.
- Obey the installation instruction supplied with the appliance.
- Keep the minimum distance from the other appliances and units.
- Always be careful when you move the appliance because it is heavy. Always wear safety gloves.
- Seal the cut surfaces with a sealant to prevent moisture to cause swelling.
- Protect the bottom of the appliance from steam and moisture.
- Do not install the appliance adjacent to a door or under a window. This prevents hot cookware to fall from the appliance when the door or the window is opened.
- If the appliance is installed above drawers make sure that the space, between the bottom of the appliance and the upper drawer, is sufficient for air circulation.
- The bottom of the appliance can get hot. Make sure to install a non-combustible separation panel under the appliance to prevent access to the bottom.

2.2 Electrical Connection



WARNING!

Risk of fire and electrical shock.

- All electrical connections should be made by a qualified electrician.
- The appliance must be earthed.
- Before carrying out any operation make sure that the appliance is disconnected from the power supply.
- Make sure that the electrical information on the rating plate agrees with the power supply. If not, contact an electrician.
- Make sure the appliance is installed correctly. Loose and incorrect electricity mains cable or plug (if applicable) can make the terminal become too hot.
- Use the correct electricity mains cable.
- Do not let the electricity mains cable tangle.
- Make sure that a shock protection is installed.
- Use the strain relief clamp on the cable.
- Make sure the mains cable or plug (if applicable) does not touch the hot appliance or hot cookware, when you connect the appliance to the near sockets
- Do not use multi-plug adapters and extension cables.
- Make sure not to cause damage to the mains plug (if applicable) or to the mains cable. Contact our Authorised Service Centre or an electrician to change a damaged mains cable.
- The shock protection of live and insulated parts must be fastened in such a way that it cannot be removed without tools.
- Connect the mains plug to the mains socket only at the end of the installation. Make sure that there is access to the mains plug after the installation.
- If the mains socket is loose, do not connect the mains plug.
- Do not pull the mains cable to disconnect the appliance. Always pull the mains plug.

- Use only correct isolation devices: line protecting cut-outs, fuses (screw type fuses removed from the holder), earth leakage trips and contactors.
- The electrical installation must have an isolation device which lets you disconnect the appliance from the mains at all poles. The isolation device must have a contact opening width of minimum 3 mm.

2.3 Gas connection

- All gas connections should be made by a qualified person.
- Before installation, make sure that the local distribution conditions (nature of the gas and gas pressure) and the adjustment of the appliance are compatible.
- Make sure that there is air circulation around the appliance.
- The information about the gas supply is on the rating plate.
- This appliance is not connected to a device, which evacuates the products of combustion. Make sure to connect the appliance according to current installation regulations. Pay attention to requirements regarding adequate ventilation.

2.4 Use



WARNING!

Risk of injury, burns and electrical shock.

- Remove all the packaging, labelling and protective film (if applicable) before first use.
- Use this appliance in a household environment.
- Do not change the specification of this appliance.
- Make sure that the ventilation openings are not blocked.
- Do not let the appliance stay unattended during operation.
- Set the cooking zone to "off" after each use.
- Do not put cutlery or saucepan lids on the cooking zones. They can become hot.

- Do not operate the appliance with wet hands or when it has contact with water.
- Do not use the appliance as a work surface or as a storage surface.
- When you place food into hot oil, it may splash.

**WARNING!**

Risk of fire and explosion

- Fats and oil when heated can release flammable vapours. Keep flames or heated objects away from fats and oils when you cook with them.
- The vapours that very hot oil releases can cause spontaneous combustion.
- Used oil, that can contain food remnants, can cause fire at a lower temperature than oil used for the first time.
- Do not put flammable products or items that are wet with flammable products in, near or on the appliance.

**WARNING!**

Risk of damage to the appliance.

- Do not keep hot cookware on the control panel.
- Do not let cookware to boil dry.
- Be careful not to let objects or cookware fall on the appliance. The surface can be damaged.
- Do not activate the cooking zones with empty cookware or without cookware.
- Do not put aluminium foil on the appliance.
- Use only stable cookware with the correct shape and diameter larger than the dimensions of the burners.
- Make sure cookware is centrally positioned on the burners.
- Make sure the flame does not go out when you quickly turn the knob from the maximum to the minimum position.
- Use only the accessories supplied with the appliance.
- Do not install a flame diffuser on the burner.
- The use of a gas cooking appliance results in the production of heat and moisture. Provide good ventilation in

the room where the appliance is installed.

- Prolonged intensive use of the appliance may call for additional ventilation, for example opening of a window, or more effective ventilation, for example increasing the level of mechanical ventilation where present.
- This appliance is for cooking purposes only. It must not be used for other purposes, for example room heating.
- Do not let acid liquids, for example vinegar, lemon juice or limescale remover, touch the hob. This can cause matt patches.

2.5 Care and cleaning

- Clean regularly the appliance to prevent the deterioration of the surface material.
- Deactivate the appliance and let it cool down before you clean it.
- Disconnect the appliance from the electrical supply before maintenance.
- Do not use water spray and steam to clean the appliance.
- Clean the appliance with a moist soft cloth. Only use neutral detergents. Do not use abrasive products, abrasive cleaning pads, solvents or metal objects.
- Do not clean the burners in the dishwasher.

2.6 Disposal

**WARNING!**

Risk of injury or suffocation.

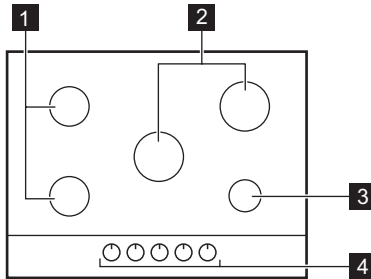
- Contact your municipal authority for information on how to discard the appliance correctly.
- Disconnect the appliance from the mains supply.
- Cut off the mains cable and discard it.
- Flat the external gas pipes.

2.7 Service

- To repair the appliance contact an Authorised Service Centre.
- Use original spare parts only.

3. PRODUCT DESCRIPTION

3.1 Cooking surface layout



- 1** Semi-rapid burner
- 2** Rapid burner
- 3** Control knobs

3.2 Control knob

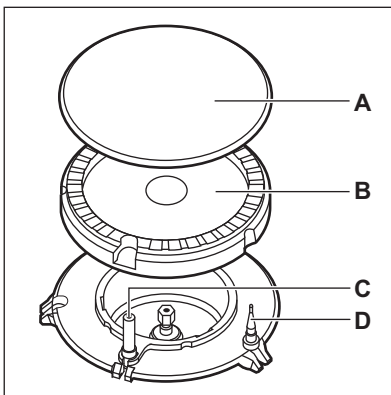
Symbol	Description
	no gas supply / off position

Symbol	Description
	ignition position / maximum gas supply
	minimum gas supply

4. DAILY USE

WARNING!
Refer to Safety chapters.

4.1 Burner overview




- A) Burner cap
- B) Burner crown
- C) Ignition candle
- D) Thermocouple


4.2 Ignition of the burner


Always light the burner before you put on the cookware.


WARNING!
Be very careful when you use open fire in the kitchen environment. The manufacturer declines any responsibility in case of the flame misuse.


1. Push the control knob down and turn it counterclockwise to the maximum gas supply position ().
2. Keep the control knob pushed for equal or less than 10 seconds. This lets the thermocouple warm up. If not, the gas supply is interrupted.
3. Adjust the flame after it is regular.


 If after some tries the burner does not light, check if the crown and its cap are in correct positions.

 **WARNING!**
Do not keep the control knob pushed for more than 15 seconds. If the burner does not light after 15 seconds, release the control knob, turn it into off position and try to light the burner again after minimum 1 minute.

 **CAUTION!**
In the absence of electricity you can ignite the burner without electrical device; in this case approach the burner with a flame, turn the control knob counter-clockwise to maximum gas supply position and push it down. Keep the control knob pushed for equal or less than 10 seconds to let the thermocouple warm up.


 If the burner accidentally goes out, turn the control knob to the off position and try to light the burner again after minimum 1 minute.

 The spark generator can start automatically when you switch on the mains, after installation or a power cut. It is normal.

 The hob is supplied with the progressive valves. They make the flame regulation more precise.

4.3 Turning the burner off


To put the flame out, turn the knob to the off position ●.


 **WARNING!**
Always turn the flame down or switch it off before you remove the pans from the burner.


5. HINTS AND TIPS


 **WARNING!**
Refer to Safety chapters.


5.1 Cookware


 **CAUTION!**
Do not use cast iron pans, potstones, earthenware, grill or toaster plates. The stainless steel can become tarnished if it is too much heated.

 **WARNING!**
Do not put the same pan on two burners.

 **WARNING!**
Do not put unstable or damaged pots on the burner to prevent from spill and injury.

 **CAUTION!**
Make sure that the bottoms of pots do not stand above the control knob, otherwise the flame heats the control knob up.

 **CAUTION!**
Make sure that pot handles are not above the front edge of the cooktop.

 **CAUTION!**
Make sure that the pots are placed centrally on the burner in order to get maximum stability and to get lower gas consumption.

5.2 Diameters of cookware

- i** Use cookware with diameters applicable to the size of burners.

Burner	Diameter of cookware (mm)
Rapid (central)	180 - 260
Rapid (rear right)	160 - 260
Semi-rapid (front)	120 - 180
Semi-rapid (rear)	120 - 220
Auxiliary	80 - 180

5.3 Lid (separated kit only for predisposed hobs)



- The lid protects the hob from dust when closed and collects splashes of grease when opened. Do not use it for other functions.
- Keep the lid clean all the time.
- Make sure that the hob is cold before you close the lid.
- Glass lids can shatter when hot.

6. CARE AND CLEANING

- !** **WARNING!**
Refer to Safety chapters.

6.1 General information

- Clean the hob after each use.
- Always use cookware with clean bottom.
- Scratches or dark stains on the surface have no effect on how the hob operates.
- Use a special cleaner applicable for the surface of the hob.
- Wash stainless steel parts with water, and then dry them with a soft cloth.

6.2 Pan supports

- i** The pan supports are not resistant to washing in a dishwasher. They must be washed by hand.

1. Remove the pan supports to easily clean the hob.

- i** Be very careful when you replace the pan supports to prevent the hob top from damage.

2. The enamel coating occasionally can have rough edges, so be careful when you wash the pan supports by hand and dry them. If necessary, remove stubborn stains with a paste cleaner.
3. After you clean the pan supports, make sure that they are in correct positions.
4. For the burner to operate correctly, make sure that the arms of the pan supports are aligned with the centre of the burner.

6.3 Cleaning the hob

- **Remove immediately:** melted plastic, plastic foil, and food with sugar. If not, the dirt can cause damage to the hob.
- **Remove when the hob is sufficiently cool:** limescale rings, water rings, fat stains, shiny metallic discoloration. Clean the hob with a moist cloth and some detergent. After cleaning, rub the hob dry with a soft cloth.
- To clean the enamelled parts, cap and crown, wash them with warm soapy water and dry them carefully before you put them back.

6.4 Cleaning the spark plug

This feature is obtained through a ceramic ignition candle with a metal electrode. Keep these components well clean to prevent difficult lighting and check that the burner crown holes are not obstructed.

6.5 Periodic maintenance

Speak to your local Authorised Service Centre periodically to check the conditions of the gas supply pipe and the pressure adjuster, if fitted.

7. TROUBLESHOOTING



WARNING!

Refer to Safety chapters.

7.1 What to do if...

Problem	Possible cause	Remedy
There is no spark when you try to activate the spark generator.	The hob is not connected to an electrical supply or it is connected incorrectly.	Check if the hob is correctly connected to the electrical supply.
	The fuse is released.	Make sure that the fuse is the cause of the malfunction. If the fuse releases again and again, contact a qualified electrician.
The flame extinguishes immediately after ignition.	Burner cap and crown are placed incorrectly.	Place the burner cap and crown correctly.
	Thermocouple is not heated up sufficiently.	After lightning the flame, keep the knob pushed for equal or less than 10 seconds.
The flame ring is uneven.	Burner crown is blocked with food residues.	Make sure that the injector is not blocked and the burner crown is clean.

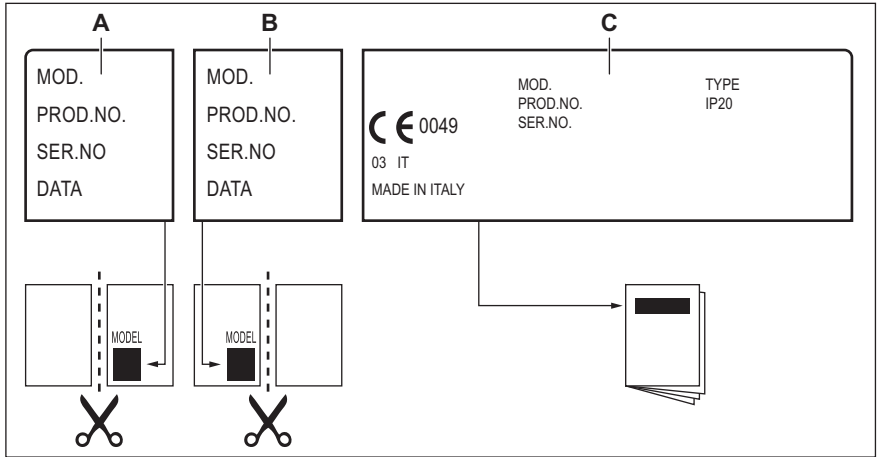
7.2 If you cannot find a solution...

If you cannot find a solution to the problem yourself, contact your dealer or an Authorised Service Centre. Give the data from the rating plate. Make sure, you operated the hob correctly. If not the servicing by a service technician or

dealer will not be free of charge, also during the warranty period. The instructions about the Service Centre and conditions of guarantee are in the guarantee booklet.

7.3 Labels supplied with the accessories bag

Stick the adhesive labels as indicated below:



- A) Stick it on Guarantee Card and send this part (if applicable).
- B) Stick it on Guarantee Card and keep this part (if applicable).

- C) Stick it on instruction booklet.

8. INSTALLATION



WARNING!
Refer to Safety chapters.

8.1 Before the installation

Before you install the hob, write down the information below from the rating plate. The rating plate is on the bottom of the hob.

Model
 PNC
 Serial number


8.2 Gas Connection



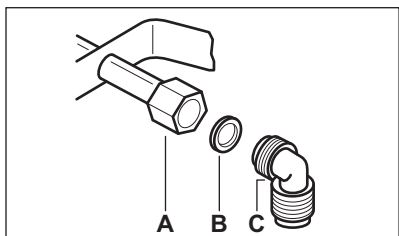
WARNING!
 The following instructions about installation, maintenance and ventilation must be carried out by qualified personnel in compliance with the regulation in force (UNI-CIG 7129 - 7131). Make sure that the kitchen is well ventilated: keep natural ventilation holes open (at least 100 cm²) or install a mechanical extractor hood.

Choose fixed connections or use a flexible pipe in stainless steel in compliance with the regulation in force. If you use flexible metallic pipes, be careful

they do not come in touch with mobile parts or they are not squeezed. Also be careful when the hob is put together with an oven.

 Make sure that the gas supply pressure of the appliance obeys the recommended values.

If the supplied pressure has not the specified value, it is necessary to assemble a proper pressure regulator in compliance with the standard UNI EN 88. For Liquid Gas (LPG) the use of pressure regulator is allowed only if they are in compliance with UNI EN 12864. The adjustable connection is fixed to the comprehensive ramp by means of a threaded nut G 1/2". Screw the parts without force, adjust the connection in the necessary direction and tighten everything.



- A) End of shaft with nut
- B) Washer
- C) Elbow (if needed)

Rigid connection:

Carry out connection by using metal rigid pipes (copper with mechanical end) (UNI-CIG 7129).

Flexible connection:

Use a flexible pipe in stainless steel (UNI-CIG 9891) with a maximum length 2 m.



WARNING!

When installation is complete, make sure that the seal of each pipe fitting is correct. Use a soapy solution, not a flame!

8.3 Injectors replacement

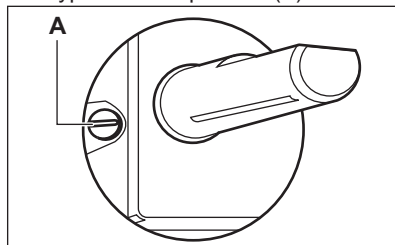
1. Remove the pan supports.
2. Remove the caps and crowns of the burner.
3. With a socket spanner 7 remove the injectors and replace them with the ones which are necessary for the type of gas you use (see table in "Technical Information" chapter).
4. Assemble the parts, follow the same procedure backwards.
5. Replace the rating plate (it is near the gas supply pipe) with the one for the new type of gas supply. You can find this plate in the package supplied with the appliance.

If the supply gas pressure is changeable or different from the necessary pressure, you must fit an applicable pressure adjuster on the gas supply pipe.

8.4 Adjustment of minimum level

To adjust the minimum level of the burners:

1. Light the burner.
2. Turn the knob on the minimum position.
3. Remove the knob.
4. With a thin screwdriver, adjust the bypass screw position (A).



5. If you change:
 - from natural gas G20 20 mbar to liquid gas, fully tighten the bypass screw in.
 - from liquid gas to natural gas G20 20 mbar, undo the bypass screw approximately 1/4 of a turn.

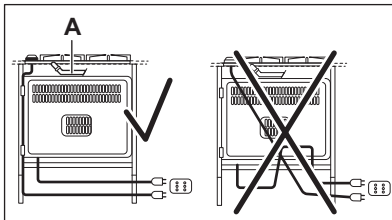
**WARNING!**

Make sure the flame does not go out when you quickly turn the knob from the maximum position to the minimum position.

8.5 Electrical connection

- Make sure that the rated voltage and type of power on the rating plate agree with the voltage and the power of the local power supply.
- This appliance is supplied with a mains cable. It has to be supplied with a correct plug which can hold the load that the rating plate rates. Make sure that you install the plug in a correct socket.
- Always use a correctly installed shockproof socket.
- Make sure that there is an access to the mains plug after the installation.
- Do not pull the mains cable to disconnect the appliance. Always pull the mains plug.
- There is a risk of fire when the appliance is in connection with an extension cable, an adapter or a multiple connection. Make sure that the ground connection agrees with the standards and regulations.
- Do not let the power cable to heat up to a temperature higher than 90° C.

To prevent contact between the cable and the appliance below the hob use the clamps which are on the side of the cabinet.

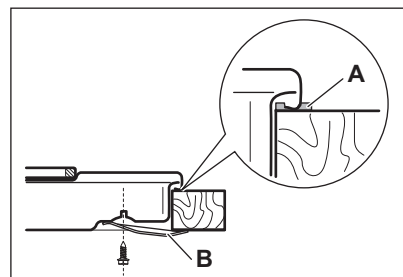
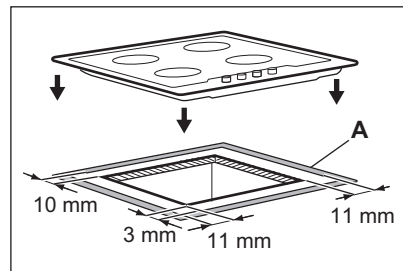
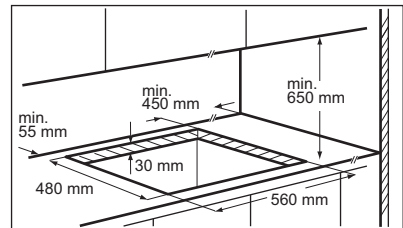


- A) Rigid copper pipe or flexible pipe of stainless steel

8.6 Connection cable

To replace the connection cable use only the special cable or its equivalent. The cable type is: H05V2V2-F T90.

Make sure that the cable section is applicable to the voltage and the working temperature. The yellow / green earth wire must be approximately 2 cm longer than the brown (or black) phase wire.

8.7 Building In

- A) supplied seal
B) supplied brackets

**CAUTION!**

Install the appliance only on a worktop with flat surface.

8.8 Installing hob under the hood



If you install the hob under a hood, please see the installation instructions of the hood for the minimum distance between the appliances.

- A) Removable panel
- B) Space for connections

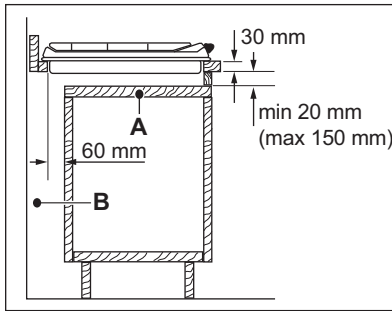
Kitchen unit with oven

The electrical connection of the hob and the oven must be installed separately for safety reasons and to let easy remove oven from the unit.

8.9 Possibilities for insertion

The panel installed below the hob must be easy to remove and let an easy access in case a technical assistance intervention is necessary.

Kitchen unit with door



9. TECHNICAL INFORMATION

9.1 Hob dimensions

Width	744 mm
Depth	510 mm

9.2 Bypass diameters

BURNER	Ø BYPASS 1/100 mm
Rapid	42
Semi-rapid	32
Auxiliary	28

9.3 Other technical data

TOTAL POWER:	Gas original:	G20 (2H) 20 mbar = 11,0 kW
	Gas replacement:	G30 (3+) 28-30 mbar = 771 g/h G31 (3+) 37 mbar = 757 g/h
Electric supply:	230 V ~ 50 Hz	
Appliance category:	II2H3+	
Gas connection:	G 1/2"	
Appliance class:	3	

9.4 Gas burners for NATURAL GAS G20 20 mbar

BURNER	NORMAL POWER kW	MINIMUM POWER kW	INJECTOR MARK 1/100 mm
Rapid	3,0	0,75	119
Semi-rapid	2,0	0,45	96
Auxiliary	1,0	0,33	70

9.5 Gas burners for LPG G30/G31 28-30/37 mbar

BURNER	NORMAL POWER kW	MINIMUM POWER kW	INJECTOR MARK 1/100 mm	NOMINAL GAS FLOW g/h	
				G30 28-30 mbar	G31 37 mbar
Rapid	2,8	0,75	86	204	200
Semi-rapid	2,0	0,45	71	145	143
Auxiliary	1,0	0,33	50	73	71

10. ENERGY EFFICIENCY

10.1 Product information according to EU 66/2014

Model identification	RGG7252OOX
Type of hob	Built-in hob
Number of gas burners	5


Energy efficiency per gas burner (EE gas burner)	Centre middle - Rapid	53.1%
	Left rear - Semi-rapid	58.3%
	Right rear - Rapid	54.8%
	Left front - Semi-rapid	58.3%
	Right front - Auxiliary	not applicable
Energy efficiency for the gas hob (EE gas hob)		56.1%


EN 30-2-1: Domestic cooking appliances burning gas - Part 2-1 : Rational use of energy - General

10.2 Energy saving

- Before use, make sure that the burners and pan supports are assembled correctly.
- Use cookware with diameters applicable to the size of burners.
- Center the pot on the burner.
- When you heat up water, use only the amount you need.
- If it is possible, always put the lids on the cookware.
- When the liquid starts to boil, turn down the flame to barely simmer the liquid.
- If it is possible, use a pressure cooker. Refer to its user manual.

11. ENVIRONMENT CONCERNS

Recycle the materials with the symbol . Put the packaging in applicable containers to recycle it. Help protect the environment and human health and to recycle waste of electrical and electronic appliances. Do not dispose appliances

marked with the symbol  with the household waste. Return the product to your local recycling facility or contact your municipal office.

INHALTSVERZEICHNIS

1. SICHERHEITSINFORMATIONEN.....	18
2. SICHERHEITSANWEISUNGEN.....	19
3. GERÄTEBESCHREIBUNG.....	23
4. TÄGLICHER GEBRAUCH.....	23
5. TIPPS UND HINWEISE.....	24
6. REINIGUNG UND PFLEGE.....	25
7. FEHLERSUCHE.....	26
8. MONTAGE.....	28
9. TECHNISCHE DATEN.....	31
10. ENERGIEEFFIZIENZ.....	33

WIR DENKEN AN SIE

Vielen Dank, dass Sie sich für ein Gerät von Electrolux entschieden haben. Sie haben ein Produkt gewählt, hinter dem jahrzehntelange professionelle Erfahrung und Innovation stehen. Bei der Entwicklung dieses großartigen und eleganten Geräts haben wir an Sie gedacht. So haben Sie bei jedem Gebrauch die Gewissheit, dass Sie stets großartige Ergebnisse erzielen werden. Willkommen bei Electrolux.

Besuchen Sie uns auf unserer Website, um:



Anwendungshinweise, Prospekte, Fehlerbehebungs- und Service-Informationen zu erhalten:

www.electrolux.com



Ihr erworbenes Produkt zu registrieren, um den besten Service dafür zu gewährleisten:

www.registerelectrolux.com



Zubehör, Verbrauchsmaterial und Original-Ersatzteile für Ihr Gerät zu erwerben:

www.electrolux.com/shop

REPARATUR- UND KUNDENDIENST

Bitte verwenden Sie ausschließlich Original-Ersatzteile für Ihre Produkte. Halten Sie folgende Angaben bereit, wenn Sie sich an den Kundendienst wenden: Modell, Produktnummer (PNC), Seriennummer. Diese Informationen finden Sie auf dem Typenschild.



Warnungs-/ Sicherheitshinweise



Allgemeine Informationen und Empfehlungen



Informationen zum Umweltschutz

Änderungen vorbehalten.

1. ⚠ SICHERHEITSINFORMATIONEN

Lesen Sie vor der Montage und dem Gebrauch des Geräts zuerst die Gebrauchsanleitung. Der Hersteller übernimmt keine Verantwortung für Verletzungen und Beschädigungen durch unsachgemäße Montage. Bewahren Sie die Gebrauchsanleitung griffbereit auf.

1.1 Sicherheit von Kindern und schutzbedürftigen Personen

- Das Gerät kann von Kindern ab 8 Jahren und Personen mit eingeschränkten physischen, sensorischen oder geistigen Fähigkeiten oder mit mangelnder Erfahrung und/oder mangelndem Wissen nur dann verwendet werden, wenn sie durch eine für ihre Sicherheit zuständige Person beaufsichtigt werden oder in die sichere Verwendung des Geräts eingewiesen wurden und die mit dem Gerät verbundenen Gefahren verstanden haben.
- Kinder dürfen nicht mit dem Gerät spielen.
- Alle Verpackungsmaterialien von Kindern fernhalten.
- Halten Sie Kinder und Haustiere während des Betriebs oder der Abkühlphase vom Gerät fern. Zugängliche Teile sind heiß.
- Falls Ihr Gerät mit einer Kindersicherung ausgestattet ist, empfehlen wir, diese einzuschalten.
- Wartung oder Reinigung des Geräts dürfen nicht von Kindern ohne Aufsicht erfolgen.
- Halten Sie Kinder unter 3 Jahren vom Gerät fern, wenn sie nicht ständig beaufsichtigt werden.

1.2 Allgemeine Sicherheit

- Das Gerät und die zugänglichen Geräteteile werden während des Betriebs heiß. Berühren Sie nicht die Heizelemente.
- Schalten Sie das Gerät nicht über eine externe Zeitschaltuhr oder eine separate Fernsteuerung ein.

- Kochen mit Fett oder Öl auf einem unbeaufsichtigten Kochfeld ist gefährlich und kann zu einem Brand führen.
- Versuchen Sie nicht einen Brand mit Wasser zu löschen, sondern schalten Sie das Gerät aus und bedecken Sie die Flamme mit einem Deckel oder einer Feuerlöschdecke.
- Legen Sie keine Gegenstände auf dem Kochfeld ab.
- Legen Sie keine Metallgegenstände wie Messer, Gabeln, Löffel oder Topfdeckel auf die Oberfläche des Kochfelds, da diese heiß werden können.
- Benutzen Sie zum Reinigen des Geräts keinen Dampfreiniger.
- Entfernen Sie ggf. Spritzer oder ausgelaufene Flüssigkeiten vom Abdeckblech, bevor Sie es öffnen. Lassen Sie das Kochfeld vollständig abkühlen, bevor Sie das Abdeckblech zuklappen.
- Wenn das Netzkabel beschädigt ist, muss es vom Hersteller, seinem autorisierten Kundenservice oder einer gleichermaßen qualifizierten Person ausgetauscht werden, um Gefahrenquellen zu vermeiden.
- Ist das Gerät direkt an die Stromversorgung angeschlossen, wird ein allpoliger Netztrennschalter mit einem Kontaktabstand benötigt. Es muss eine vollständige Trennung entsprechend der Überspannungskategorie III gewährleistet sein. Dies gilt nicht für das Erdungskabel.
- Wenn Sie das Netzkabel verlegen, achten Sie darauf, dass es keinen direkten Kontakt mit Teilen hat, die Temperaturen erreichen können, die mehr als 50 °C über der Raumtemperatur liegen. Verwenden Sie ansonsten Isolierschläuche.

2. SICHERHEITSANWEISUNGEN

Dieses Gerät ist für folgende Märkte
geeignet: IT

2.1 Montage



WARNUNG!

Nur eine qualifizierte Fachkraft darf den elektrischen Anschluss des Geräts vornehmen.

- Entfernen Sie das Verpackungsmaterial.
- Stellen Sie ein beschädigtes Gerät nicht auf und benutzen Sie es nicht.
- Halten Sie sich an die mitgelieferte Montageanleitung.
- Die Mindestabstände zu anderen Geräten und Küchenmöbeln sind einzuhalten.
- Seien Sie beim Umsetzen des Geräts vorsichtig, denn es ist schwer. Tragen Sie stets Sicherheitshandschuhe.
- Dichten Sie die Ausschnittskanten mit einem Dichtungsmittel ab, um ein Aufquellen durch Feuchtigkeit zu verhindern.
- Schützen Sie die Geräteunterseite vor Dampf und Feuchtigkeit.
- Installieren Sie das Gerät nicht direkt neben einer Tür oder unter einem Fenster. So kann heißes Kochgeschirr nicht herunterfallen, wenn die Tür oder das Fenster geöffnet wird.
- Wird das Gerät über Schubladen eingebaut, achten Sie darauf, dass zwischen dem Geräteboden und der oberen Schublade ein ausreichender Abstand für die Luftzirkulation vorhanden ist.
- Der Boden des Geräts kann heiß werden. Achten Sie darauf eine feuerfeste Trennplatte unter dem Gerät anzubringen, damit der Boden nicht zugänglich ist.

elektrischen Stromversorgung getrennt werden.

- Stellen Sie sicher, dass die elektrischen Daten auf dem Typenschild den Daten Ihrer Stromversorgung entsprechen. Wenden Sie sich andernfalls an eine Elektrofachkraft.
- Achten Sie darauf, dass das Gerät ordnungsgemäß montiert wird. Wenn freiliegende oder ungeeignete Netzkabel oder Netzstecker (fall vorhanden) verwendet werden, kann der Anschluss überhitzen.
- Stellen Sie sicher, dass Sie das richtige Kabel für den elektrischen Netzanschluss verwenden.
- Achten Sie darauf, dass das Netzkabel nicht lose hängt oder sich verheddert.
- Sorgen Sie dafür, dass ein Berührungsschutz installiert wird.
- Verwenden Sie die Zugentlastung für das Kabel.
- Stellen Sie beim elektrischen Anschluss des Gerätes sicher, dass das Netzkabel oder ggf. der Netzstecker nicht mit dem heißen Gerät oder heißem Kochgeschirr in Berührung kommt.
- Verwenden Sie keine Mehrfachsteckdosen oder Verlängerungskabel.
- Achten Sie darauf, Netzstecker (falls vorhanden) und Netzkabel nicht zu beschädigen. Wenden Sie sich zum Austausch des beschädigten Netzkabels an unseren autorisierten Kundendienst oder eine Elektrofachkraft.
- Alle Teile, die gegen direktes Berühren schützen sowie die isolierten Teile müssen so befestigt werden, dass sie nicht ohne Werkzeug entfernt werden können.
- Stecken Sie den Netzstecker erst nach Abschluss der Montage in die Steckdose. Stellen Sie sicher, dass der Netzstecker nach der Montage noch zugänglich ist.
- Falls die Steckdose lose ist, schließen Sie den Netzstecker nicht an.
- Ziehen Sie nicht am Netzkabel, wenn Sie das Gerät von der

2.2 Elektrischer Anschluss



WARNUNG!

Brand- und Stromschlaggefahr.

- Alle elektrischen Anschlüsse sind von einem geprüften Elektriker vorzunehmen.
- Das Gerät muss geerdet sein.
- Vor der Durchführung jeglicher Arbeiten muss das Gerät von der

- Stromversorgung trennen möchten. Ziehen Sie stets am Netzstecker.
- Verwenden Sie nur geeignete Trennvorrichtungen: Überlastschalter, Sicherungen (Schraub Sicherungen müssen aus dem Halter entfernt werden können), Fehlerstromschutzschalter und Schütze.
 - Die elektrische Installation muss eine Trenneinrichtung aufweisen, mit der Sie das Gerät allpolig von der Stromversorgung trennen können. Die Trenneinrichtung muss mit einer Kontaktöffnungsweite von mindestens 3 mm ausgeführt sein.
- Lassen Sie das Gerät bei Betrieb nicht unbeaufsichtigt.
 - Schalten Sie die Kochzonen nach jedem Gebrauch aus.
 - Legen Sie kein Besteck und keine Topfdeckel auf die Kochzonen. Sie werden heiß.
 - Bedienen Sie das Gerät nicht mit feuchten oder nassen Händen oder wenn es mit Wasser in Kontakt gekommen ist.
 - Benutzen Sie das Gerät nicht als Arbeits- oder Abstellfläche.
 - Wenn Sie Nahrungsmittel in heißes Öl geben, kann dieses spritzen.

**WARNUNG!**

Brand- und Explosionsgefahr!

2.3 Gasanschluss

- Der Gasanschluss muss von einer Fachkraft ausgeführt werden.
 - Vergewissern Sie sich vor der Montage des Geräts, dass das von Ihrem Gaswerk gelieferte Gas (Gasart und Gasdruck) mit der Einstellung des Geräts kompatibel ist.
 - Stellen Sie sicher, dass die Luft um das Gerät zirkulieren kann.
 - Informationen über die Gasversorgung finden Sie auf dem Typenschild.
 - Das Gerät darf nicht an einen Abzug für Verbrennungsprodukte angeschlossen werden. Das Gerät muss gemäß der aktuell geltenden Installationsbestimmungen angeschlossen werden. Halten Sie die Bestimmungen hinsichtlich der Belüftung ein.
- Erhitzte Öle und Fette können brennbare Dämpfe freisetzen. Halten Sie Flammen und erhitzte Gegenstände beim Kochen mit Fetten und Ölen von diesen fern.
 - Die von sehr heißem Öl freigesetzten Dämpfe können eine Selbstzündung verursachen.
 - Bereits verwendetes Öl kann Lebensmittelreste enthalten und schon bei niedrigeren Temperaturen eher einen Brand verursachen als frisches Öl.
 - Platzieren Sie keine entflammaren Produkte oder Gegenstände, die mit entflammaren Produkten benetzt sind, im Gerät, auf dem Gerät oder in der Nähe des Geräts.

**WARNUNG!**

Das Gerät könnte beschädigt werden.

2.4 Gebrauch

**WARNUNG!**

Verletzungs-, Verbrennungs- und Stromschlaggefahr.

- Entfernen Sie vor dem ersten Gebrauch das gesamte Verpackungsmaterial, die Aufkleber und Schutzfolie (falls vorhanden).
 - Das Gerät ist für die Verwendung im Haushalt vorgesehen.
 - Nehmen Sie keine technischen Änderungen am Gerät vor.
 - Die Lüftungsöffnungen dürfen nicht abgedeckt werden.
- Stellen Sie kein heißes Kochgeschirr auf das Bedienfeld.
 - Lassen Sie das Kochgeschirr nicht leerkochen.
 - Lassen Sie keine Gegenstände oder Kochgeschirr auf das Gerät fallen. Die Oberfläche könnte beschädigt werden.
 - Schalten Sie die Kochzonen niemals ein, wenn sich kein Kochgeschirr darauf befindet, oder wenn das Kochgeschirr leer ist.
 - Legen Sie keine Alufolie auf das Gerät.

- Verwenden Sie nur standfestes Kochgeschirr mit der richtigen Form und einem Durchmesser, der größer als der der Brenner ist.
- Achten Sie darauf das Kochgeschirr mittig auf die Brenner zu stellen.
- Vergewissern Sie sich, dass die Flamme nicht erlischt, wenn Sie den Einstellknopf schnell von der höchsten zur niedrigsten Stufe drehen.
- Verwenden Sie ausschließlich das mit dem Gerät gelieferte Zubehör.
- Setzen Sie keinen Wärmeverteiler auf den Brenner.
- Beim Gebrauch eines Gaskochfelds entsteht Wärme und Feuchtigkeit. Sorgen Sie für eine ausreichende Belüftung in dem Raum, in dem das Gerät aufgestellt ist.
- Bei längerer Benutzung des Geräts kann eine zusätzliche Belüftung erforderlich werden (Öffnen eines Fensters oder Erhöhung der Absaugleistung der Abzugshaube, falls vorhanden).
- Dieses Gerät ist nur zum Kochen bestimmt. Jeder andere Gebrauch ist als bestimmungsfremd anzusehen, zum Beispiel das Beheizen eines Raums.
- Lassen Sie keine säurehaltigen Flüssigkeiten wie Essig, Zitronensaft oder kalklösende Reinigungsmittel mit dem Kochfeld in Berührung kommen. Diese könnten matte Flecken verursachen.

2.5 Reinigung und Pflege

- Reinigen Sie das Gerät regelmäßig, um eine Abnutzung des Oberflächenmaterials zu verhindern.
- Schalten Sie das Gerät vor dem Reinigen aus und lassen Sie es abkühlen.

- Trennen Sie das Gerät vor Wartungsarbeiten von der Spannungsversorgung.
- Reinigen Sie das Gerät nicht mit einem Wasser- oder Dampfstrahl.
- Reinigen Sie das Gerät mit einem weichen, feuchten Tuch. Verwenden Sie ausschließlich Neutralreiniger. Benutzen Sie keine Scheuermittel, scheuernde Reinigungsschwämmchen, Lösungsmittel oder Metallgegenstände.
- Reinigen Sie die Brenner nicht im Geschirrspüler.

2.6 Entsorgung



WARNUNG!

Verletzungs- und Erstickengefahr.

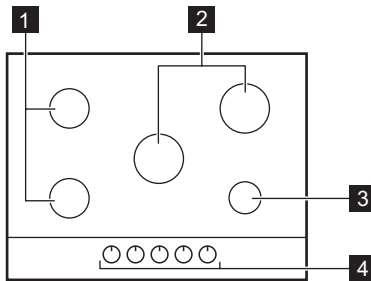
- Für Informationen zur ordnungsgemäßen Entsorgung des Geräts wenden Sie sich an die zuständige kommunale Behörde vor Ort.
- Trennen Sie das Gerät von der Stromversorgung.
- Schneiden Sie das Netzkabel ab, und entsorgen Sie es.
- Drücken Sie die äußeren Gasrohre flach.

2.7 Service

- Wenden Sie sich zur Reparatur des Geräts an einen autorisierten Kundendienst.
- Verwenden Sie ausschließlich Originalersatzteile.

3. GERÄTEBESCHREIBUNG

3.1 Kochfeldanordnung



- 1 Normalbrenner
- 2 Starkbrenner
- 3 Kochzonen-Einstellknöpfe

3.2 Kochzonen-Einstellknopf

Symbol	Beschreibung
●	Keine Gaszufuhr/ausgeschaltet

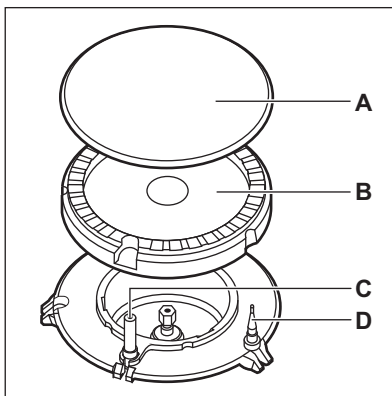
Symbol	Beschreibung
	Zündstellung/maximale Gaszufuhr
	minimale Gaszufuhr

4. TÄGLICHER GEBRAUCH



WARNUNG!
Siehe Kapitel
Sicherheitshinweise.

4.1 Brennerübersicht



- A) Brennerdeckel
- B) Brennerkrone
- C) Zündkerze

D) Thermoelement

4.2 Zünden des Brenners



Brenner stets vor dem Aufsetzen des Kochgeschirrs zünden.



WARNUNG!
Seien Sie bei der Verwendung von offenem Feuer in der Küche besonders vorsichtig. Der Hersteller übernimmt bei Missachtung der Sicherheitsbestimmungen beim Umgang mit offenem Feuer keinerlei Haftung.

1. Drücken Sie den Einstellknopf hinein und drehen Sie ihn gegen den Uhrzeigersinn auf die Position für die maximale Gaszufuhr (
2. Halten Sie den Einstellknopf bis zu 10 Sekunden lang gedrückt. In dieser Zeit wird das Thermoelement

erwärmt. Andernfalls wird die Gaszufuhr unterbrochen.

3. Stellen Sie die Flamme ein, sobald sie ruhig brennt.



Falls sich der Brenner nach einigen Versuchen nicht zünden lässt, überprüfen Sie, ob die Brennerkrone und der zugehörige Brennerdeckel korrekt sitzen.



WARNUNG!

Halten Sie den Knopf nicht länger als 15 Sekunden gedrückt. Sollte der Brenner nach 15 Sekunden nicht zünden, lassen Sie den Knopf los, und drehen Sie ihn in die Aus-Position. Warten Sie dann mindestens eine Minute, bevor Sie den Brenner erneut zünden.



ACHTUNG!

Wenn kein Strom zur Verfügung steht, können Sie den Brenner auch ohne Strom zünden. Bringen Sie eine Flamme in die Nähe des Brenners, drehen Sie den entsprechenden Knopf entgegen dem Uhrzeigersinn auf die höchste Stufe und drücken Sie ihn dann hinein. Halten Sie den Einstellknopf höchstens 10 Sekunden gedrückt, um das Thermoelement zu erwärmen.



Sollte der Brenner zufällig ausgehen, drehen Sie den Knopf in die Aus-Position und versuchen ihn nach einer Minute erneut zu zünden.



Nach dem Einschalten der Stromversorgung, nach der Installation oder nach einem Stromausfall wird der Funkengenerator möglicherweise automatisch eingeschaltet. Das ist normal.



Das Kochfeld wird mit Ventilen mit einem stetigen Stellverhalten geliefert. Sie ermöglichen eine präzisere Einstellung der Flamme.

4.3 Abschalten des Brenners

Drehen Sie zum Abschalten des Brenners den Knopf in die Aus-Position



WARNUNG!

Bevor Sie das Kochgeschirr vom Brenner nehmen, drehen Sie die Flamme herunter oder drehen Sie sie ganz ab.

5. TIPPS UND HINWEISE



WARNUNG!

Siehe Kapitel Sicherheitshinweise.

5.1 Kochgeschirr



ACHTUNG!

Verwenden Sie kein Kochgeschirr aus Gusseisen, Speckstein oder Steingut und keine Grill- oder Sandwichplatten. Edelstahl kann bei zu starker Erhitzung anlaufen.

**WARNUNG!**

Kochen Sie nicht mit einem Kochgeschirrtail auf zwei Brennern gleichzeitig.

**WARNUNG!**

Stellen Sie keine beschädigten Töpfe oder solche, die nicht standfest sind, auf den Brenner, um ein Verschütten und Verletzungen zu vermeiden.

**ACHTUNG!**

Achten Sie darauf, dass sich die Topfböden nicht über dem Einstellknopf befinden, da anderenfalls die Flamme den Einstellknopf erhitzt könnte.

**ACHTUNG!**

Achten Sie darauf, dass die Topfgriffe nicht über den vorderen Rand des Kochfelds hinausragen.

**ACHTUNG!**

Stellen Sie zur Reduzierung des Gasverbrauchs und im Interesse einer größeren Stabilität die Töpfe mittig auf den Brenner.

5.2 Durchmesser des Kochgeschirrs



Verwenden Sie nur Kochgeschirr mit einem Durchmesser, der der Größe der Brenner entspricht.

Brenner	Durchmesser des Kochgeschirrs (mm)
Starkbrenner (Mitte)	180 - 260
Schnellbrenner (hinten rechts)	160 - 260
Normalbrenner (vorne)	120 - 180
Normalbrenner (hinten)	120 - 220
Hilfsbrenner	80 - 180

5.3 Deckel (separater Bausatz für vorbereitete Kochfelder)



- Der Deckel schützt das Kochfeld vor Staub, wenn er geschlossen ist, und fängt Fettspritzer auf, wenn er geöffnet ist. Benutzen Sie ihn für keinen anderen Zweck.
- Halten Sie den Deckel stets sauber.
- Vergewissern Sie sich, dass das Kochfeld abgekühlt ist, bevor der Deckel geschlossen wird.
- Glasdeckel können zerbrechen, wenn sie erhitzt werden.

6. REINIGUNG UND PFLEGE

**WARNUNG!**

Siehe Kapitel Sicherheitshinweise.

6.1 Allgemeine Informationen

- Reinigen Sie das Kochfeld nach jedem Gebrauch.
- Achten Sie immer darauf, dass der Boden des Kochgeschirrs sauber ist.
- Kratzer oder dunkle Flecken auf der Oberfläche beeinträchtigen die Funktionsfähigkeit des Kochfelds nicht.
- Verwenden Sie einen Spezialreiniger zur Reinigung der Kochfeldoberfläche.
- Reinigen Sie Edelstahlteile mit Wasser und wischen Sie sie mit einem weichen Tuch trocken.

6.2 Topfträger



Die Topfträger sind nicht spülmaschinenfest. Sie müssen von Hand gereinigt werden.

1. Entfernen Sie die Topfträger, um die Reinigung des Kochfelds zu erleichtern.



Seien Sie beim Wiederaufsetzen der Topfträger vorsichtig, um Beschädigungen der Oberseite der Kochstelle zu vermeiden.

2. Wenn Sie die Topfträger von Hand spülen und trocknen, seien Sie vorsichtig, da durch das Emaillieren gelegentlich raue Kanten entstehen können. Entfernen Sie hartnäckige Flecken ggf. mit einer Reinigungspaste.
3. Vergewissern Sie sich, dass Sie die Topfträger nach der Reinigung wieder ordnungsgemäß eingesetzt haben.
4. Damit der Brenner korrekt funktioniert, stellen Sie sicher, dass sich die Arme der Topfträger in der Mitte des Brenners befinden.

6.3 Reinigen des Kochfelds

- **Folgendes muss sofort entfernt werden:** geschmolzener Kunststoff, Plastikfolie, zuckerhaltige

Lebensmittel. Andernfalls können die Verschmutzungen das Kochfeld beschädigen.

- **Folgendes kann nach ausreichender Abkühlung des Kochfelds entfernt werden:** Kalk- und Wasserränder, Fettspritzer und metallisch schimmernde Verfärbungen. Reinigen Sie das Kochfeld mit einem feuchten Tuch und etwas Spülmittel. Wischen Sie das Kochfeld nach der Reinigung mit einem weichen Tuch trocken.
- Reinigen Sie die emaillierten Teile, den Brennerdeckel und die Brennerkrone mit warmen Seifenwasser und trocknen Sie diese sorgfältig ab, bevor Sie sie wieder einsetzen.

6.4 Reinigen der Zündkerze

Diese Funktion erfolgt über eine Keramikzündkerze mit Metallelektrode. Halten Sie zur Vermeidung von Zündschwierigkeiten diese Bauteile immer sauber; kontrollieren Sie außerdem, ob die Düsen der Brennerkrone verstopft sind.

6.5 Regelmäßige Wartung

Lassen Sie regelmäßig vom Ihrem autorisierten Kundendienst den Zustand des Gasversorgungsrohrs und, falls installiert, die Funktionstüchtigkeit des Druckreglers überprüfen.

7. FEHLERSUCHE



WARNUNG!
Siehe Kapitel Sicherheitshinweise.

7.1 Was tun, wenn ...

Problem	Mögliche Ursache	Abhilfe
Es wird kein Funke erzeugt, wenn Sie den Funkenzeuger betätigen.	Das Kochfeld ist nicht oder nicht ordnungsgemäß an die Spannungsversorgung angeschlossen.	Prüfen Sie, ob das Kochfeld ordnungsgemäß an die Spannungsversorgung angeschlossen ist.

Problem	Mögliche Ursache	Abhilfe
	Die Sicherung hat ausgelöst.	Vergewissern Sie sich, dass die Sicherung der Grund für die Störung ist. Löst die Sicherung wiederholt aus, wenden Sie sich an eine zugelassene Elektrofachkraft.
	Brennerdeckel und Brennerkrone sitzen nicht richtig.	Bringen Sie die Brennerkrone und den Brennerdeckel in die richtige Position.
Die Flamme erlischt gleich nach der Zündung wieder.	Das Thermoelement ist nicht ausreichend erwärmt.	Halten Sie den Knopf nach dem Entzünden etwa 10 Sekunden lang gedrückt.
Der Flammenring ist ungleichmäßig.	Die Brennerkrone ist mit Speiseresten verstopft.	Sorgen Sie dafür, dass die Düse nicht blockiert und die Brennerkrone sauber ist.

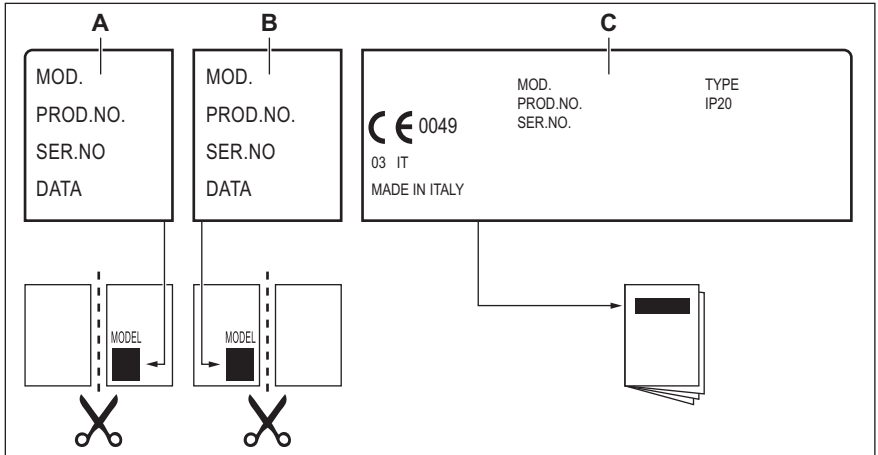
7.2 Wenn Sie das Problem nicht lösen können...

Wenn Sie das Problem nicht selbst lösen können, wenden Sie sich an den Händler oder einen autorisierten Kundendienst. Geben Sie die Daten, die Sie auf dem Typenschild finden, an. Vergewissern Sie sich, dass Sie das Kochfeld korrekt bedient haben. Wenn Sie das Gerät falsch bedient haben, fällt auch während

der Garantiezeit für die Reparatur durch einen Techniker oder Händler eine Gebühr an. Die Informationen zum Kundendienst und die Garantiebedingungen finden Sie im Garantieheft.

7.3 Im Zubehörbeutel mitgelieferte Aufkleber

Bringen Sie die Aufkleber, wie unten gezeigt, an:



- A) Kleben Sie ihn auf die Garantiekarte und verschicken Sie diesen Teil (falls vorhanden).
- B) Kleben Sie ihn auf die Garantiekarte und behalten Sie diesen Teil (falls vorhanden).
- C) Kleben Sie ihn auf die Gebrauchsanleitung.

8. MONTAGE



WARNING!
Siehe Kapitel
Sicherheitshinweise.

8.1 Vor der Montage

Notieren Sie vor der Montage des Kochfelds folgende Daten, die Sie auf dem Typenschild finden. Das Typenschild ist auf dem Boden des Kochfelds angebracht.

Modell
Produktnummer
(PNC)
Seriennummer

8.2 Gasanschluss

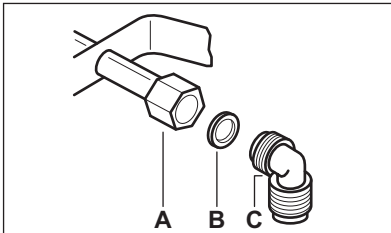


WARNING!
Die in nachstehender Anleitung beschriebenen Installations-, Wartungs- und Belüftungsarbeiten müssen von Fachpersonal unter Beachtung der geltenden Bestimmungen (UNI-CIG 7129 - 7131) ausgeführt werden. Stellen Sie sicher, dass die Küche gut belüftet ist: Halten Sie natürliche Belüftungsöffnungen von mindestens 100 cm² offen oder installieren Sie eine mechanische Abzugshaube.

Je nach geltenden Bestimmungen kann der Anschluss fest oder durch Verwendung eines flexiblen Edelstahlrohrs erfolgen. Bei Verwendung flexibler Metallrohre muss darauf geachtet werden, dass sie nicht mit beweglichen Teilen in Kontakt kommen oder eingeklemmt werden können. Wenn das Kochfeld mit einem Backofen installiert wird, muss ebenfalls vorsichtig vorgegangen werden.

i Achten Sie darauf, dass der Gasdruck des Geräts den empfohlenen Werten entspricht.

Entspricht der gelieferte Druck nicht dem angegebenen Wert, muss ein geeigneter Druckregler gemäß der Norm UNI EN 88 installiert werden. Im Fall von Flüssiggas (LPG) ist die Verwendung eines Druckreglers nur erlaubt, wenn er UNI EN 12864 entspricht. Das verstellbare Anschlussstück wird an dem Gasanschluss mit einer G 1/2" Gewindemutter befestigt. Verschrauben Sie die Teile ohne Kraftanwendung, bringen Sie das Anschlussstück in die benötigte Richtung und schrauben Sie alle Teile fest.



- A) Schaftende mit Mutter
- B) Beilagscheibe
- C) Rohrbogen (falls erforderlich)

Fester Anschluss:

Führen Sie den Anschluss mit festen Metallrohren aus (Kupfer mit mechanischem Endstück) (UNI-CIG 7129).

Flexibler Anschluss:

Verwenden Sie ein flexibles Edelstahlrohr (UNI-CIG 9891) mit einer maximalen Länge von 2 m.



WARNUNG!

Überprüfen Sie nach der Installation, ob alle Anschlussstücke dicht sind. Verwenden Sie eine Seifenlösung und keine Flamme!

8.3 Austauschen der Düsen

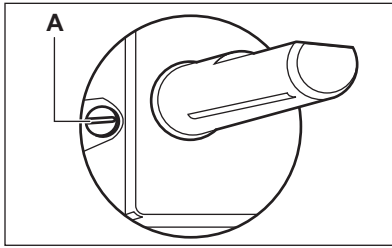
1. Nehmen Sie die Topfträger ab.
2. Nehmen Sie Brennerdeckel und Brennerkronen ab.
3. Entfernen Sie die Düsen mit einem Steckschlüssel 7 und ersetzen Sie sie durch für die verwendete Gasart geeignete Düsen (siehe Tabelle im Abschnitt „Technische Daten“).
4. Bringen Sie die Teile wieder an (führen Sie dazu die obigen Schritte in umgekehrter Reihenfolge aus).
5. Ersetzen Sie das Typenschild (in der Nähe der Gasversorgungsleitung) durch das Typenschild für die neue Gasart. Das Typenschild ist im Beipack des Geräts enthalten.

Wenn der Gasdruck der Gasversorgung schwankt oder nicht dem erforderlichen Druckwert entspricht, muss ein geeigneter Druckregler im Gaszufuhrrohr montiert werden.

8.4 Einstellen der niedrigsten Stufe

So stellen Sie die niedrigste Stufe der Brenner ein:

1. Zünden Sie den Brenner.
2. Drehen Sie den Knopf auf die kleinste Flamme.
3. Ziehen Sie den Einstellknopf ab.
4. Stellen Sie mit einem kleinen Schraubendreher die Bypass-Schraube (A) ein.



5. Bei Umstellung:
- Von Erdgas G20 20 mbar zu Flüssiggas, ziehen Sie die Bypass-Schraube bis zum Anschlag an.
 - Von Flüssiggas zu Erdgas G20 20 mbar, drehen Sie die Bypass-Schraube ca. 1/4 Umdrehung zurück .



WARNUNG!

Vergewissern Sie sich, dass die Flamme nicht erlischt, wenn Sie den Einstellknopf schnell von der höchsten zur niedrigsten Stufe drehen.

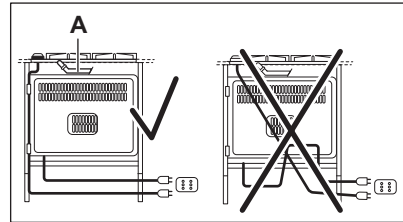
8.5 Elektrischer Anschluss

- Vergewissern Sie sich, dass die Netzspannung und -frequenz in Ihrer Region mit den auf dem Typenschild angegebenen Anschlusswerten übereinstimmen.
- Das Gerät wird mit einem Netzkabel geliefert. Dazu muss ein passender Stecker verwendet werden, der für die auf dem Typenschild angegebene Gesamtstromaufnahme ausgelegt ist. Achten Sie darauf, den Stecker in eine passende Steckdose zu stecken.
- Schließen Sie das Gerät nur an eine ordnungsgemäß installierte Schutzkontaktsteckdose an.
- Stellen Sie sicher, dass der Netzstecker nach der Montage noch zugänglich ist.
- Ziehen Sie nicht am Netzkabel, wenn Sie das Gerät von der Stromversorgung trennen möchten. Ziehen Sie stets am Netzstecker.
- Es besteht Brandgefahr, wenn das Gerät mit einem Verlängerungskabel, Adapter oder an eine Mehrfachsteckdose angeschlossen wird. Stellen Sie sicher, dass die

Erdverbindung den Normen und Vorschriften entspricht.

- Das Netzkabel darf nicht heißer als 90 °C werden.

Um einen Kontakt des Kabels mit dem Gerät unter dem Kochfeld zu vermeiden, verwenden Sie die Haken auf den Seiten des Gehäuses.



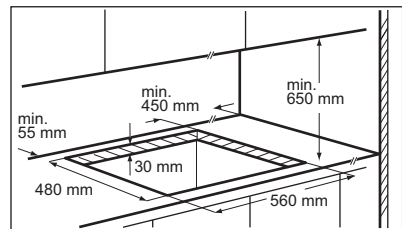
A) Festes Kupferrohr oder flexibles Edelstahlrohr

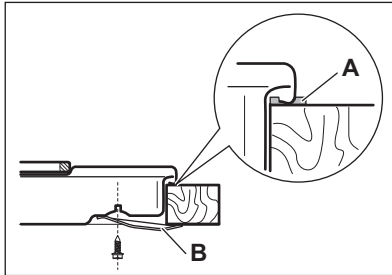
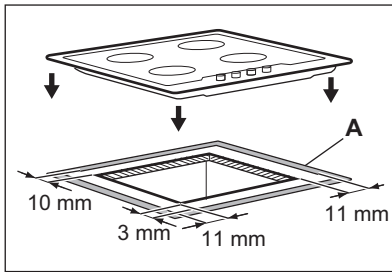
8.6 Anschlusskabel

Ersetzen Sie das Anschlusskabel ausschließlich durch das spezielle Kabel oder ein gleichwertiges Kabel. Kabeltyp: H05V2V2-F T90.

Vergewissern Sie sich, dass der Kabelquerschnitt für die Spannung und Betriebstemperatur geeignet ist. Der gelb-grüne Erdleiter muss ca. 2 cm länger als der braune (bzw. schwarze) Phasenleiter sein.

8.7 Montage





- A) mitgelieferte Dichtung
B) mitgelieferte Halterungen



ACHTUNG!
Montieren Sie das Gerät nur
in einer flachen
Arbeitsplatte.

8.8 Montage des Kochfelds unter der Dunstabzughäube

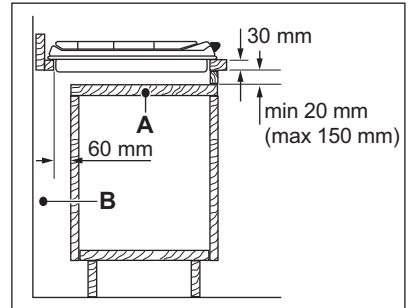


Wird das Kochfeld unter
einer Abzugshaube montiert,
sehen Sie in der
Montageanleitung der
Abzugshaube nach, welcher
Mindestabstand zwischen
den Geräten eingehalten
werden muss.

8.9 Einbaumöglichkeiten

Die unter dem Kochfeld eingebaute
Platte muss sich leicht entfernen lassen
und einen einfachen Zugang
ermöglichen, falls eine Reparatur
erforderlich wird.

Unterbaumöbel mit Tür



- A) Entfernbarplatte
B) Raum für Anschlüsse

Unterbaumöbel mit Backofen

Kochfeld und Backofen müssen aus
Sicherheitsgründen über separate
elektrische Anschlüsse verfügen. Der
Backofen muss sich leicht aus dem
Unterbauschrank entfernen lassen.

9. TECHNISCHE DATEN

9.1 Abmessungen des Kochfelds

Breite	744 mm
Tiefe	510 mm

9.2 Bypassdurchmesser

TYP	Ø BYPASS 1/100 mm
Starkbrenner	42
Normalbrenner	32
Hilfsbrenner	28

9.3 Sonstige technische Daten

GESAMTLEISTUNG:	Gas – Original:	G20 (2H) 20 mbar = 11,0 kW
	Gas – Ersatz:	G30 (3+) 28-30 mbar = 771 g/Std. G31 (3+) 37 mbar = 757 g/Std.
Netzanschluss:	230 V ~ 50 Hz	
Gerätekategorie:	II2H3+	
Gasanschluss:	G 1/2"	
Geräteklasse:	3	

9.4 Gasbrenner für ERDGAS G20 20 mbar

TYP	NORMALLEISTUNG kW	MINDESTLEISTUNG kW	INJEKTOR-MARKE 1/100 mm
Starkbrenner	3,0	0,75	119
Normalbrenner	2,0	0,45	96
Hilfsbrenner	1,0	0,33	70

9.5 Gasbrenner für LPG G30/G31 28-30/37 mbar

TYP	NORMAL-LEISTUNG kW	MINDESTLEISTUNG kW	INJEKTOR-MARKE 1/100 mm	NENNGASDURCHFLUSS g/Std.	
				G30 28-30 mbar	G31 37 mbar
Starkbrenner	2,8	0,75	86	204	200
Normalbrenner	2,0	0,45	71	145	143
Hilfsbrenner	1,0	0,33	50	73	71

10. ENERGIEEFFIZIENZ

10.1 Produktinformationen gemäß EU 66/2014


Modellidentifikation	RGG7252OOX		
Kochfeldtyp	Einbau-Kochfeld		
Anzahl der Gasbrenner	5		
Energieeffizienz pro Gasbrenner (EE gas burner)	Mitte - Starkbrenner		53.1%
	Hinten links - Normalbrenner		58.3%
	Hinten rechts - Starkbrenner		54.8%
	Vorne links - Normalbrenner		58.3%
	Vorne rechts - Hilfsbrenner		nicht zutreffend
Energieeffizienz für das Gas- kochfeld (EE gas hob)	56.1%		


EN 30-2-1: Haushalt-Kochgeräte für gasförmige Brennstoffe - Teil 2-1: Rationelle Energienutzung - Allgemeines

10.2 Energie sparen

- Achten Sie vor dem Gebrauch darauf, dass die Brenner und Topfträger richtig zusammengebaut sind.
- Verwenden Sie nur Kochgeschirr mit einem Durchmesser, der der Größe der Brenner entspricht.
- Stellen Sie den Topf mittig auf den Brenner.
- Wenn Sie Wasser erwärmen, verwenden Sie nur die benötigte Menge.
- Decken Sie Kochgeschirr, wenn möglich, mit einem Deckel ab.
- Drehen Sie, sobald die Flüssigkeit zu kochen beginnt, die Flamme so weit zurück, dass die Flüssigkeit nur leicht köchelt.
- Verwenden Sie nach Möglichkeit einen Dampfkochtopf. Beachten Sie seine Bedienungsanleitung.

11. UMWELTTIPPS

Recyceln Sie Materialien mit dem Symbol . Entsorgen Sie die Verpackung in den entsprechenden Recyclingbehältern. Recyceln Sie zum Umwelt- und Gesundheitsschutz elektrische und elektronische Geräte.

Entsorgen Sie Geräte mit diesem Symbol  nicht mit dem Hausmüll. Bringen Sie das Gerät zu Ihrer örtlichen Sammelstelle oder wenden Sie sich an Ihr Gemeindeamt.

INDICE

1. INFORMAZIONI PER LA SICUREZZA.....	35
2. ISTRUZIONI DI SICUREZZA.....	36
3. DESCRIZIONE DEL PRODOTTO.....	40
4. UTILIZZO QUOTIDIANO.....	40
5. CONSIGLI E SUGGERIMENTI UTILI.....	41
6. PULIZIA E CURA.....	42
7. RISOLUZIONE DEI PROBLEMI.....	43
8. INSTALLAZIONE.....	45
9. DATI TECNICI.....	48
10. EFFICIENZA ENERGETICA.....	49

PENSATI PER VOI

Grazie per aver acquistato un'apparecchiatura Electrolux. Avete scelto un prodotto che ha alle spalle decenni di esperienza professionale e innovazione. Ingegnoso ed elegante, è stato progettato pensando a voi. Quindi, in qualsiasi momento desiderate utilizzarlo, potete esser certi di ottenere sempre i migliori risultati.

Benvenuti in Electrolux.

Visitate il nostro sito web per:



Ricevere consigli, scaricare i nostri opuscoli, eliminare eventuali anomalie, ottenere informazioni sull'assistenza:

www.electrolux.com



Registrare il vostro prodotto e ricevere un servizio migliore:

www.registerelectrolux.com



Acquistare accessori, materiali di consumo e ricambi originali per la vostra apparecchiatura:

www.electrolux.com/shop

SERVIZIO CLIENTI E MANUTENZIONE

Consigliamo sempre l'impiego di ricambi originali.

Quando si contatta il Centro di Assistenza autorizzato, accertarsi di disporre dei seguenti dati: Modello, PNC, numero di serie.

Le informazioni si trovano sulla targhetta dei dati.



Avvertenza/Attenzione - Importanti Informazioni per la sicurezza



Informazioni e suggerimenti generali



Informazioni sull'ambiente

Con riserva di modifiche.

1. ⚠️ INFORMAZIONI PER LA SICUREZZA

Leggere attentamente le istruzioni fornite prima di installare e utilizzare l'apparecchiatura. Il produttore non è responsabile se un'installazione ed un uso non corretto dell'apparecchiatura provocano lesioni e danni. Tenere sempre le istruzioni a portata di mano come riferimento futuro.

1.1 Sicurezza dei bambini e delle persone vulnerabili

- Questa apparecchiatura può essere usata da bambini a partire dagli 8 anni e da adulti con limitate capacità fisiche, sensoriali o mentali o con scarsa esperienza o conoscenza sull'uso dell'apparecchiatura, solamente se sorvegliati o se istruiti relativamente all'uso dell'apparecchiatura e se hanno compreso i rischi coinvolti.
- Non consentire ai bambini di giocare con l'apparecchiatura.
- Tenere i materiali di imballaggio al di fuori della portata dei bambini.
- Tenere i bambini e gli animali domestici lontano dall'apparecchiatura durante il funzionamento o raffreddamento. Le parti accessibili sono incandescenti.
- Se l'apparecchiatura dispone di un dispositivo di sicurezza per i bambini, consigliamo di attivarlo.
- La pulizia e gli interventi di manutenzione non devono essere eseguiti dai bambini senza supervisione.
- Tenere lontani i bambini al di sotto dei 3 anni se non costantemente supervisionati.

1.2 Avvertenze di sicurezza generali

- L'apparecchiatura e le parti accessibili si riscaldano molto durante l'uso. Non toccare le resistenze.

- Non utilizzare un timer esterno o un sistema di controllo remoto distinto per mettere in funzione l'apparecchiatura.
- Non lasciare mai il piano di cottura incustodito durante la preparazione di cibi in quanto olio e grassi potrebbero provocare un incendio.
- Non tentare mai di spegnere un incendio con dell'acqua; spegnere l'apparecchiatura e coprire le fiamme ad es. con un coperchio o una coperta di protezione dal fuoco.
- Non conservare nulla sulle superfici di cottura.
- Oggetti metallici quali coltelli, forchette, cucchiari e coperchi non dovrebbero essere posti sulla superficie del piano di cottura in quanto possono diventare caldi.
- Non usare una pulitrice a vapore per pulire l'apparecchiatura.
- Rimuovere qualsiasi residuo dal coperchio prima di aprirlo. Lasciar raffreddare la superficie del piano di cottura prima di chiudere il coperchio.
- Se il cavo di alimentazione è danneggiato, deve essere sostituito dal produttore, da un tecnico autorizzato o da una persona qualificata per evitare situazioni di pericolo.
- Quando l'apparecchiatura è collegata direttamente all'alimentazione elettrica, è necessario un interruttore isolante onnipolare. È necessario che l'apparecchiatura si scolleghi completamente dalla rete conformemente alle condizioni della categoria III relativa alla sovratensione. Il cavo di terra è escluso.
- Quando si collega il cavo di alimentazione, assicurarsi che non sia a contatto diretto (ad es. mediante l'impiego di manicotti di isolamento) con parti che possono raggiungere temperature superiori ai 50°C.

2. ISTRUZIONI DI SICUREZZA

Questa apparecchiatura è adatta ai seguenti mercati: IT

2.1 Installazione



ATTENZIONE!

L'installazione dell'apparecchiatura deve essere eseguita da personale qualificato.

- Rimuovere tutti i materiali di imballaggio.
- Non installare o utilizzare l'apparecchiatura se è danneggiata.
- Attenersi alle istruzioni fornite insieme all'apparecchiatura.
- È necessario rispettare la distanza minima dalle altre apparecchiature.
- Prestare sempre attenzione in fase di spostamento dell'apparecchiatura, dato che è molto pesante. Indossare sempre guanti di sicurezza.
- Proteggere le superfici di taglio con un materiale di tenuta per evitare che l'umidità causi dei rigonfiamenti.
- Proteggere la base dell'apparecchiatura da vapore e umidità.
- Non installare l'apparecchiatura accanto ad una porta o sotto una finestra, per evitare che pentole calde cadano dall'apparecchiatura quando la porta o la finestra sono aperte.
- Se l'apparecchiatura viene installata sopra dei cassettei, assicurarsi che lo spazio, tra la base dell'apparecchiatura e il cassetto superiore, sia sufficiente per il ricircolo d'aria.
- La base dell'apparecchiatura può surriscaldarsi. Si consiglia di prevedere un pannello divisorio in materiale non infiammabile al di sotto dell'apparecchiatura per rendere inaccessibile la base.

2.2 Collegamento elettrico



ATTENZIONE!

Rischio di incendio e scossa elettrica.

- Tutti i collegamenti elettrici devono essere realizzati da un elettricista qualificato.
- L'apparecchiatura deve disporre di una messa a terra.
- Prima di qualsiasi intervento, è necessario verificare che l'apparecchiatura sia scollegata dalla rete elettrica.
- Verificare che i dati elettrici riportati sulla targhetta dei dati corrispondano a quelli dell'impianto. In caso contrario, contattare un elettricista.
- Verificare che l'apparecchiatura sia installata correttamente. L'allentamento di un collegamento elettrico o di una spina (ove previsti) può provocare il surriscaldamento del terminale.
- Utilizzare il cavo di alimentazione appropriato.
- Evitare che i collegamenti elettrici si aggroviglino.
- Assicurarsi che la protezione da scosse elettriche sia installata.
- Utilizzare il morsetto fermacavo sul cavo.
- Assicurarsi che il cavo di alimentazione o la spina (ove prevista) non sfiori l'apparecchiatura calda o pentole calde quando si collega l'apparecchiatura alle prese vicine
- Non utilizzare prese multiple e prolunghie.
- Accertarsi di non danneggiare la spina e il cavo (ove previsti). Contattare il nostro Centro di Assistenza autorizzato o un elettricista qualificato per sostituire un cavo danneggiato.
- I dispositivi di protezione da scosse elettriche devono essere fissati in modo tale da non poter essere disattivati senza l'uso di attrezzi.
- Inserire la spina di alimentazione nella presa solo al termine dell'installazione. Verificare che la spina di alimentazione rimanga accessibile dopo l'installazione.
- Nel caso in cui la spina di corrente sia allentata, non collegarla alla presa.
- Non tirare il cavo di alimentazione per scollegare l'apparecchiatura. Tirare sempre dalla spina.
- Servirsi unicamente di dispositivi di isolamento adeguati: interruttori automatici, fusibili (quelli a tappo devono essere rimossi dal

portafusibile), sganciatori per correnti di guasto a terra e relè.

- L'impianto elettrico deve essere dotato di un dispositivo di isolamento che consenta di scollegare l'apparecchiatura dalla presa di corrente a tutti i poli. Il dispositivo di isolamento deve avere una larghezza dell'apertura di contatto non inferiore ai 3 mm.

2.3 Collegamento gas

- Tutti i collegamenti del gas devono essere eseguiti da una persona qualificata.
- Prima di procedere con l'installazione, verificare che le condizioni di distribuzione locale (pressione e tipo di gas) e i valori preimpostati dell'apparecchiatura siano compatibili.
- Adottare le misure necessarie per garantire una corretta circolazione d'aria intorno all'apparecchiatura.
- Le informazioni relative all'alimentazione del gas si trovano sulla targhetta dei dati.
- La presente apparecchiatura non è collegata a un dispositivo per l'evacuazione dei residui di combustione. Assicurarsi di collegare l'apparecchiatura conformemente alle disposizioni vigenti sull'installazione. Fare attenzione ai requisiti relativi ad un'adeguata ventilazione.

2.4 Utilizzo



ATTENZIONE!

Rischio di lesioni, ustioni o scosse elettriche.

- Rimuovere tutti i materiali di imballaggio, le etichette e la pellicola protettiva (ove presente) prima del primo utilizzo.
- Utilizzare l'apparecchiatura in un ambiente domestico.
- Non apportare modifiche alle specifiche di questa apparecchiatura.
- Accertarsi che le fessure di ventilazione non siano ostruite.
- Non lasciare mai l'apparecchiatura incustodita durante il funzionamento.
- Spegnerla la zona di cottura dopo ogni utilizzo.

- Non appoggiare posate o coperchi sulle zone di cottura. Possono diventare roventi.
- Non mettere in funzione l'apparecchiatura con le mani umide o quando c'è un contatto con l'acqua.
- Non utilizzare l'apparecchiatura come superficie di lavoro o come piano di appoggio.
- Un alimento immerso nell'olio molto caldo può provocare degli schizzi.



ATTENZIONE!

Pericolo di incendio ed esplosioni.

- Grassi e olio caldi possono rilasciare vapori infiammabili. Mantenere fiamme o oggetti caldi lontani da grassi e olio quando li si utilizza per cucinare.
- I vapori rilasciati da un olio molto caldo possono provocare una combustione spontanea.
- L'olio usato, che può contenere residui di cibo, può liberare delle fiamme ad una temperatura inferiore rispetto ad un olio utilizzato per la prima volta.
- Non appoggiare o tenere liquidi o materiali infiammabili, né oggetti facilmente incendiabili sull'apparecchiatura, al suo interno o nelle immediate vicinanze.



ATTENZIONE!

Vi è il rischio di danneggiare l'apparecchiatura.

- Non poggiare pentole calde sul pannello dei comandi.
- Non esporre al calore pentole vuote.
- Fare attenzione a non lasciar cadere oggetti o pentole sull'apparecchiatura. La superficie si potrebbe danneggiare.
- Non mettere in funzione le zone di cottura in assenza di pentole o con pentole vuote.
- Non appoggiare la pellicola di alluminio direttamente sull'apparecchiatura.
- Utilizzare solo pentole stabili, di forma corretta e con un diametro superiore alle dimensioni dei bruciatori.
- Assicurarsi che le pentole siano posizionate al centro dei bruciatori.

- Accertarsi che la fiamma non si spenga quando si gira rapidamente la manopola dalla posizione massima a quella minima.
- Usare esclusivamente gli accessori in dotazione con l'apparecchiatura.
- Non utilizzare un diffusore di fiamma sul bruciatore.
- Un'apparecchiatura per cottura a gas produce calore e umidità. Provvedere ad un'adeguata ventilazione nell'ambiente in cui si trova l'apparecchiatura.
- Se si prevede un impiego prolungato e intenso dell'apparecchiatura, può essere necessaria un'ulteriore fonte di aerazione, per esempio l'apertura di una finestra o un sistema più efficace, come l'aumento del livello di ventilazione meccanica, ove presente.
- L'apparecchiatura è destinata solo alla cottura. Non deve essere utilizzata per altri scopi, come per esempio il riscaldamento di un ambiente.
- Non lasciare che sostanze acide, come per esempio aceto, succo di limone od anticalcari vengano a contatto con il piano di cottura. Si potrebbero formare delle macchie opache.

2.5 Pulizia e cura

- Pulire regolarmente l'apparecchiatura per evitare il deterioramento dei materiali che compongono la superficie.

- Disattivare l'apparecchiatura e lasciarla raffreddare prima di procedere con la pulizia.
- Scollegare l'apparecchiatura dalla rete elettrica prima di eseguire le operazioni di manutenzione.
- Non nebulizzare acqua né utilizzare vapore per pulire l'apparecchiatura.
- Pulire l'apparecchiatura con un panno inumidito e morbido. Utilizzare solo detergenti neutri. Non usare prodotti abrasivi, spugnette abrasive, solventi od oggetti metallici.
- Non pulire i bruciatori in lavastoviglie.

2.6 Smaltimento



ATTENZIONE!

Rischio di lesioni o soffocamento.

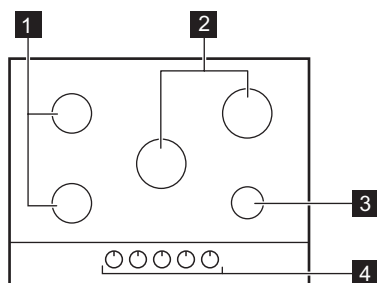
- Contattare le autorità locali per ricevere informazioni su come smaltire correttamente l'apparecchiatura.
- Staccare la spina dall'alimentazione elettrica.
- Tagliare il cavo di rete e smaltirlo.
- Appiattire i tubi del gas esterni.

2.7 Assistenza Tecnica

- Per riparare l'apparecchiatura contattare il Centro di Assistenza Autorizzato.
- Utilizzare esclusivamente ricambi originali.

3. DESCRIZIONE DEL PRODOTTO

3.1 Disposizione della superficie di cottura



- 1** Bruciatore semirapido
- 2** Bruciatore rapido
- 3** Manopole di regolazione

3.2 Manopola di regolazione

Simbolo	Descrizione
	alimentazione gas assente/posizione di spento
	posizione di accensione/alimentazione massima del gas

Simbolo	Descrizione
	alimentazione minima del gas

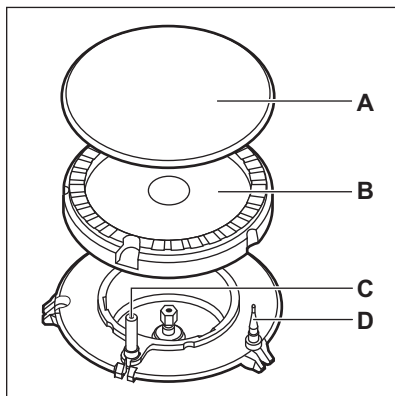
4. UTILIZZO QUOTIDIANO



ATTENZIONE!
Fare riferimento ai capitoli sulla sicurezza.

- A) Spartifiamma bruciatore
- B) Corona bruciatore
- C) Candela di accensione
- D) Termocoppia

4.1 Panoramica bruciatore



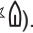
4.2 Accensione del bruciatore



Accendere sempre il bruciatore prima di posizionare una pentola.

**ATTENZIONE!**

Fare attenzione in fase di utilizzo di fiamme libere all'interno della cucina. Il produttore declina qualsiasi responsabilità in caso di cattivo utilizzo delle fiamme.

1. Premere la manopola di regolazione e ruotarla in senso antiorario fino alla posizione massima (※)
2. Tenere premuta la manopola di regolazione per circa 10 secondi. Questo consentirà il riscaldamento della termocoppia. In caso contrario, l'alimentazione del gas verrà interrotta.
3. Regolare la fiamma, dopo che si è stabilizzata.



Se il bruciatore non si accende dopo alcuni tentativi, controllare che la corona e lo spartifiamma siano correttamente posizionati.

**ATTENZIONE!**

Non tenere la manopola di regolazione premuta per oltre 15 secondi. Se il bruciatore non si accende dopo 15 secondi, rilasciare la manopola di regolazione, ruotarla in posizione di spento e attendere almeno 1 minuto prima di tentare di riaccendere il bruciatore.

**AVVERTENZA!**

In assenza di elettricità è possibile accendere il bruciatore senza utilizzare il dispositivo elettrico; in tal caso sarà sufficiente avvicinarsi al bruciatore con una fiamma, premere verso il basso la relativa manopola e ruotarla in senso antiorario verso la posizione di massimo rilascio del gas. Mantenere premuta la manopola di regolazione per circa 10 secondi per far riscaldare la termocoppia.



Nel caso in cui il bruciatore si dovesse spegnere, ruotare la manopola di regolazione in posizione di spento per cercare di riaccendere il bruciatore dopo almeno 1 minuto.



Il generatore di scintille si avvia in modo automatico all'accensione delle prese, dopo l'installazione o dopo un'interruzione di corrente. È normale.



Il piano di cottura viene fornito con delle valvole progressive. Queste rendono la regolazione della fiamma più precisa.

4.3 Spegnimento del bruciatore

Per spegnere la fiamma, ruotare la manopola in posizione di spento ●.

**ATTENZIONE!**

Ridurre o spegnere sempre la fiamma prima di rimuovere le pentole dal bruciatore.

5. CONSIGLI E SUGGERIMENTI UTILI

**ATTENZIONE!**

Fare riferimento ai capitoli sulla sicurezza.

5.1 Pentole



AVVERTENZA!

Non usare pentole in ghisa, teglie in terracotta, grill o piastre tostapane. L'acciaio inox può bruciare se sottoposto ad eccessivo riscaldamento.



ATTENZIONE!

Non mettere la stessa pentola su due bruciatori.



ATTENZIONE!

Evitare di posare sul bruciatore pentole instabili o deformate per prevenire versamenti e lesioni.



AVVERTENZA!

Assicurarsi che i basamenti delle pentole non siano poggiati sulla manopola di regolazione, altrimenti la fiamma potrebbe surriscaldarla.



AVVERTENZA!

Assicurarsi che i manici delle pentole non si trovino al di sopra del bordo anteriore del piano di cottura.



AVVERTENZA!

Assicurarsi che le pentole siano ben centrate sul bruciatore per ottenere la massima stabilità e per un consumo ridotto di gas.

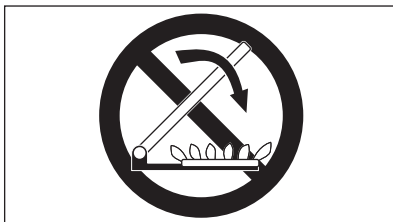
5.2 Diametri delle pentole



Usare pentole con diametro adatto alle dimensioni dei bruciatori.

Bruciatore	Diametro delle pentole (mm)
Rapido (centrale)	180 - 260
Rapido (posteriore destro)	160 - 260
Semirapido (anteriore)	120 - 180
Semirapido (posteriore)	120 - 220
Ausiliario	80 - 180

5.3 Coperchio (kit separato solo per i piani di cottura predisposti)



- Il coperchio serve solamente a ripulire il piano di cottura dalla polvere, quando è chiuso, o a raccogliere gli schizzi di grasso, quando è aperto. Non usarlo per altre funzioni.
- Tenere sempre pulito il coperchio.
- Accertarsi che il piano di cottura sia freddo prima di chiudere il coperchio.
- I coperchi in vetro possono rompersi quando vengono riscaldati.

6. PULIZIA E CURA



ATTENZIONE!

Fare riferimento ai capitoli sulla sicurezza.

6.1 Informazioni generali

- Pulire il piano di cottura dopo ogni impiego.
- Usare sempre pentole con il fondo pulito.

- I graffi o le macchie scure sulla superficie non compromettono il funzionamento del piano di cottura.
- Usare un prodotto di pulizia speciale adatto alla superficie del piano di cottura.
- Lavare le parti in acciaio inox con acqua e asciugarle con un panno morbido.

6.2 Supporti pentole



I supporti pentole non possono essere lavati in lavastoviglie. Devono essere lavati a mano.

1. È possibile rimuovere i supporti pentole e pulire in modo facile il piano di cottura.



Fare molta attenzione quando si sostituiscono i supporti pentole: il piano di cottura si potrebbe danneggiare.

2. Il rivestimento smaltato a volte può presentare dei bordi ruvidi, quindi prestare attenzione nel lavare ed asciugare i supporti pentole a mano. Se necessario, rimuovere le macchie più ostinate servendosi di un apposito prodotto in pasta.
3. Dopo aver pulito i supporti pentole, assicurarsi che siano riposizionati correttamente.
4. Per fare in modo che il bruciatore funzioni correttamente, verificare che le braccia dei supporti pentole si trovino al centro del bruciatore.

6.3 Pulizia del piano di cottura

- **Togliere immediatamente:** plastica fusa, pellicola in plastica, e alimenti contenenti zucchero. Se non vengono eliminati, potrebbero danneggiare il piano di cottura.
- **Quando il piano di cottura è sufficientemente raffreddato, è possibile rimuovere:** i segni di calcare e d'acqua, le macchie di grasso e le macchie opalescenti. Pulire il piano di cottura con un panno umido e una piccola quantità di detergente. Al termine della pulizia, asciugare il piano di cottura con un panno morbido.
- Per pulire gli elementi smaltati, lo spartifiamma e la corona, lavarli con acqua calda saponata e asciugarli attentamente prima di riporli.

6.4 Pulizia della candela

Questa caratteristica viene ottenuta tramite una candela ceramica ed un elettrodo di metallo. Tenere questi componenti ben puliti per evitare difficoltà di accensione e controllare che i fori spartifiamma non siano ostruiti.

6.5 Manutenzione periodica

Consultare periodicamente il Centro di Assistenza autorizzato locale per verificare le condizioni del tubo della fornitura di gas e del regolatore di pressione, se presente.

7. RISOLUZIONE DEI PROBLEMI



ATTENZIONE!

Fare riferimento ai capitoli sulla sicurezza.

7.1 Cosa fare se...

Problema	Causa possibile	Soluzione
Il gas non si accende quando si preme il pulsante di accensione.	Il piano di cottura non è collegato a una fonte di alimentazione elettrica o non è collegato correttamente.	Accertarsi che il piano di cottura sia collegato correttamente alla rete elettrica.
	È scattato il fusibile.	Verificare se l'anomalia di funzionamento sia dovuta al fusibile. Nel caso in cui il fusibile continui a scattare, rivolgersi ad un elettricista qualificato.
	Lo spartifiamma del bruciatore e la corona non sono posizionati correttamente.	Posizionarli adeguatamente.
La fiamma si spegne immediatamente dopo l'accensione.	La termocoppia non si è riscaldata a sufficienza.	Dopo aver acceso la fiamma, tenere premuta la manopola per circa 10 secondi.
L'anello della fiamma non è omogeneo.	La corona del bruciatore è bloccata da residui di cibo.	Controllare che l'iniettore principale non sia ostruito e che la corona del bruciatore sia pulita.

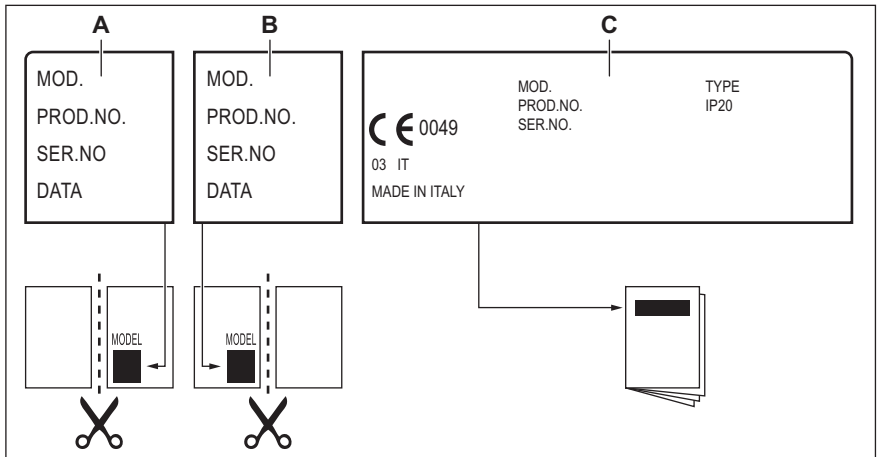
7.2 Se non è possibile trovare una soluzione...

Qualora non sia possibile trovare una soluzione al problema, contattare il rivenditore o il Centro di Assistenza Autorizzato. Fornire i dati riportati sulla targhetta dei dati. Assicurarsi di aver acceso il piano di cottura correttamente. In caso di azionamento errato dell'apparecchiatura, l'intervento del

tecnico del Centro di Assistenza o del rivenditore potrà essere effettuato a pagamento anche durante il periodo di garanzia. Le istruzioni relative al Centro di Assistenza e alle condizioni di garanzia sono contenute nel libretto della garanzia.

7.3 Etichette fornite con il sacchetto degli accessori

Attaccare le etichette adesive come indicato di seguito:



- A)** Attaccarla sul Foglietto di garanzia ed inviare questa parte (ove prevista).
- B)** Attaccarla sul Foglietto di garanzia e conservare questa parte (ove prevista).

- C)** Attaccarla sul libretto di istruzioni.

8. INSTALLAZIONE



ATTENZIONE!

Fare riferimento ai capitoli sulla sicurezza.

8.1 Prima dell'installazione

Prima di installare il piano di cottura, annotare l'informazione riportata di seguito presente sulla targhetta dei dati. La targhetta dei dati è applicata sul lato inferiore del piano di cottura.

Modello

PNC

Numero di serie

8.2 Collegamento gas



ATTENZIONE!

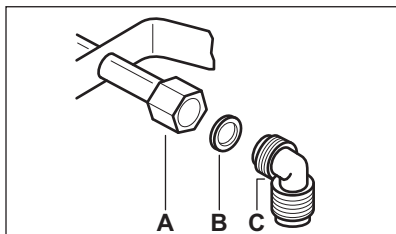
Le seguenti istruzioni d'installazione, manutenzione e ventilazione devono essere eseguite da personale qualificato conformemente alle disposizioni vigenti (UNI-CIG 7129 - 7131). Accertarsi che la cucina sia adeguatamente ventilata: tenere aperti i fori di ventilazione naturali (almeno 100 cm²) o installare una cappa meccanica.

Scegliere dei collegamenti fissi o usare un tubo flessibile in acciaio inossidabile conforme alle disposizioni vigenti. Se si utilizzano tubi in metallo flessibili, fare attenzione che non entrino in contatto con parti mobili o non siano schiacciati. Ulteriore attenzione è richiesta qualora al piano di cottura fosse abbinato il forno.



Accertarsi che la pressione del gas di alimentazione dell'apparecchiatura sia conforme ai valori consigliati.

Se la pressione fornita non ha il valore specificato, è necessario montare un adeguato regolatore di pressione in conformità allo standard UNI EN 88. Per il Gas Liquido (GPL), l'utilizzo di un regolatore di pressione è consentito solo in conformità allo standard UNI EN 12864. Il collegamento regolabile è fissato alla rampa per mezzo di un dado filettato G 1/2". Avvitare le parti senza forzare, regolare il raccordo nella direzione voluta e serrare il tutto.



- A) Estremità dell'albero con dado
B) Rondella
C) Gomito (se necessario)

Collegamento rigido:

Eeguire il collegamento mediante tubi in metallo rigidi (rame con finecorsa meccanico) (UNI-CIG 7129).

Collegamento flessibile:

Utilizzare un tubo flessibile in acciaio inox (UNI-CIG 9891) con una lunghezza massima di 2 m.



ATTENZIONE!

Al termine dell'installazione, verificare la tenuta di ciascun raccordo dei tubi. Usare una soluzione saponata, non una fiamma!

8.3 Sostituzione degli iniettori

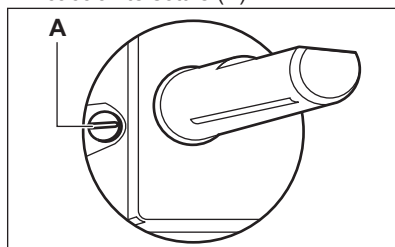
1. Rimuovere i supporti pentole.
2. Rimuovere gli spartifiamma e le corone del bruciatore.
3. Con una chiave a bussola N. 7, togliere gli iniettori e sostituirli con quelli richiesti per il tipo di gas utilizzato (vedere la tabella della sezione "Dati tecnici").
4. Rimontare i componenti, seguendo la stessa procedura in senso inverso.
5. Sostituire la targhetta dei dati (posizionata vicino al tubo di alimentazione del gas) con quella corrispondente al nuovo tipo di gas. Questa targhetta è presente nell'imballo fornito con l'apparecchiatura.

Se la pressione del gas di alimentazione è variabile o differente da quella prevista, montare un adattatore di pressione adeguato nel tubo di alimentazione del gas.

8.4 Regolazione del livello minimo

Per regolare il livello minimo dei bruciatori:

1. Accendere il bruciatore.
2. Ruotare la manopola al minimo della fiamma.
3. Togliere la manopola.
4. Regolare la vite di by-pass con un cacciavite sottile (A).



5. Se si passa da:
 - gas naturale G20 a 20 mbar a gas liquido, serrare a fondo la vite di by-pass.
 - gas liquido a gas naturale G20 a 20 mbar, svitare la vite by-pass di circa 1/4 di giro.

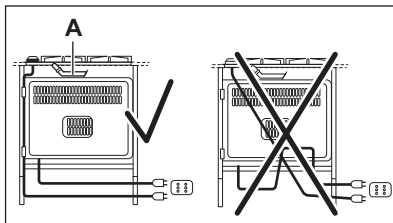
**ATTENZIONE!**

Accertarsi che la fiamma non si spenga quando si gira rapidamente la manopola dalla posizione massima a quella minima.

8.5 Collegamento elettrico

- Verificare che la tensione nominale e il tipo di corrente della rete di distribuzione corrispondano ai valori indicati sulla targhetta dei dati dell'apparecchiatura.
- L'apparecchiatura è provvista di cavo di collegamento alla rete. Deve essere dotato di una spina in grado di supportare il carico indicato sulla targhetta dei dati. Accertarsi di inserire la spina nella presa corretta.
- Utilizzare sempre una presa elettrica con contatto di protezione correttamente installata.
- Verificare che la spina di alimentazione rimanga accessibile dopo l'installazione.
- Non tirare il cavo di alimentazione per scollegare l'apparecchiatura. Tirare sempre dalla spina.
- Collegando l'apparecchiatura a una prolunga, adattatore o presa multipla esiste il rischio di incendio. Accertarsi che il collegamento di messa a terra sia in linea con le disposizioni e le norme in vigore.
- Il cavo di alimentazione non deve riscaldarsi ad una temperatura superiore a 90°C.

Per evitare il contatto tra il cavo e l'apparecchiatura al di sotto del piano di cottura, utilizzare dei morsetti sul lato dell'unità.

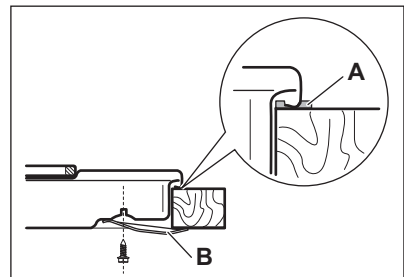
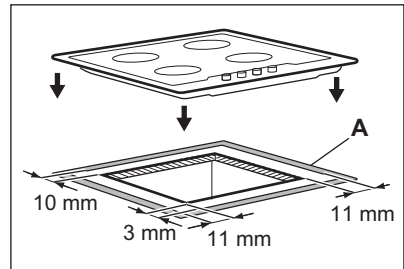
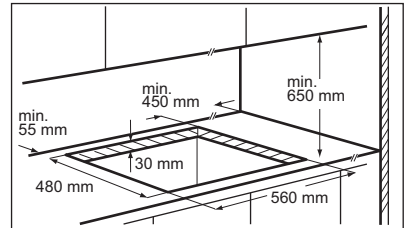


- A)** Condotto rigido in rame o tubo flessibile in acciaio inox

8.6 Cavo di collegamento

Sostituire il cavo di collegamento solo con un cavo speciale o uno identico. Il tipo di cavo è: H05V2V2-F T90.

Accertarsi che il cavo sia di sezione idonea alla tensione e alla temperatura di esercizio. Il cavo di terra giallo/verde deve essere circa 2 cm più lungo del cavo di fase marrone (o nero).

8.7 Incasso

- A)** guarnizione in dotazione
B) staffe in dotazione

**AVVERTENZA!**

Installare l'apparecchiatura esclusivamente su un piano di lavoro dalla superficie piatta.

8.8 Installazione del piano di cottura sotto la cappa da cucina

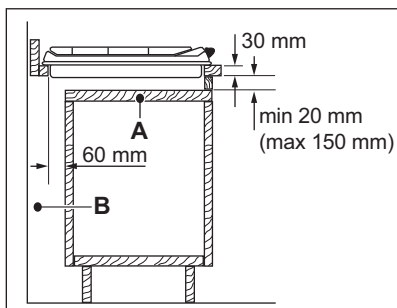


Se si installa il piano di cottura sotto a una cappa da cucina, fare riferimento alle istruzioni per l'installazione della cappa per la distanza minima tra le apparecchiature.

8.9 Possibilità di inserimento

Il pannello installato sotto il piano di cottura deve essere facilmente rimovibile e altrettanto facilmente deve consentire l'accesso in caso di interventi dell'assistenza tecnica.

Mobile da incasso con porta



- A)** Pannello rimovibile
B) Spazio per gli allacciamenti

Mobile da incasso con forno

Il collegamento elettrico del piano di cottura e del forno deve essere eseguito separatamente per questioni di sicurezza oltre che per consentire una facile rimozione del forno dall'unità.

9. DATI TECNICI

9.1 Dimensioni del piano di cottura

Larghezza	744 mm
Profondità	510 mm

9.2 Diametri bypass

BRUCIATORE	Ø BYPASS 1/100 mm
Rapido	42
Semirapido	32
Ausiliario	28

9.3 Altri dati tecnici

POTENZA TOTALE:	Gas originale:	G20 (2H) 20 mbar = 11,0 kW
	Gas sostitutivo:	G30 (3+) 28-30 mbar = 771 g/h G31 (3+) 37 mbar = 757 g/h
Alimentazione elettrica: 230 V ~ 50 Hz		
Categoria apparecchiatura: II2H3+		

Collegamento gas:	G 1/2"
Classe apparecchiatura:	3

9.4 Bruciatori a GAS NATURALE G20 a 20 mbar

BRUCIATORE	POTENZA NORMALE kW	POTENZA MINIMA kW	SIMBOLO INIETTORE 1/100 mm
Rapido	3,0	0,75	119
Semirapido	2,0	0,45	96
Ausiliario	1,0	0,33	70

9.5 Bruciatori a gas per GPL G30/G31 28-30/37 mbar

BRUCIATORE	POTENZA NORMALE kW	POTENZA MINIMA kW	SIMBOLO INIETTORE 1/100 mm	PORTATA NOMINALE GAS g/h	
				G30 28-30 mbar	G31 37 mbar
Rapido	2,8	0,75	86	204	200
Semirapido	2,0	0,45	71	145	143
Ausiliario	1,0	0,33	50	73	71

10. EFFICIENZA ENERGETICA

10.1 Informazioni prodotto conformi alla norma UE 66/2014


Identificativo modello	RGG7252OOX	
Tipo di piano di cottura	Piano di cottura da incasso	
Numero di bruciatori a gas	5	
Efficienza energetica per bruciatore a gas (EE gas burner)	Centrale in mezzo - Rapido	53.1%
	Posteriore sinistro - Semirapido	58.3%
	Posteriore destro - Rapido	54.8%
	Anteriore sinistro - Semirapido	58.3%
	Anteriore destro - Ausiliario	non applicabile
Efficienza energetica del piano di cottura a gas (EE gas hob)	56.1%	


EN 30-2-1: Apparecchiature di cottura a gas per uso domestico - Parte 2-1: Uso razionale dell'energia - Generale

10.2 Risparmio energetico

- Prima dell'uso, assicurarsi che i bruciatori e i supporti pentole siano assemblati correttamente.
- Usare pentole con diametro adatto alle dimensioni dei bruciatori.
- Centrare la pentola sul bruciatore.
- Quando si riscalda l'acqua, utilizzare solo la quantità necessaria.
- Se possibile, coprire sempre le pentole con il coperchio.
- Quando il liquido inizia a bollire, abbassare la fiamma per provocare una lenta ebollizione del liquido.
- Se possibile, utilizzare una pentola a pressione. Fare riferimento al relativo manuale per l'utente.

11. CONSIDERAZIONI SULL'AMBIENTE

Riciclare i materiali con il simbolo .
Buttare l'imballaggio negli appositi contenitori per il riciclaggio. Aiutare a proteggere l'ambiente e la salute umana e a riciclare rifiuti derivanti da apparecchiature elettriche ed elettroniche. Non smaltire le

apparecchiature che riportano il simbolo  insieme ai normali rifiuti domestici. Portare il prodotto al punto di riciclaggio più vicino o contattare il comune di residenza.

www.electrolux.com/shop



867305366-A-482014

