

 Electrolux

 Electrolux

THE BOSS

2105 · 2115

 **Electrolux**

 **EL** **IX**

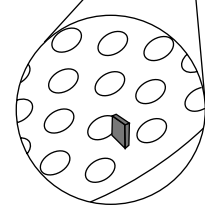
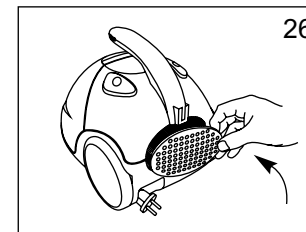
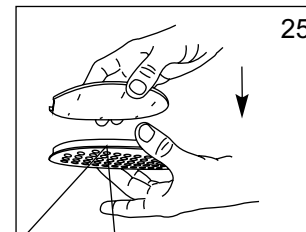
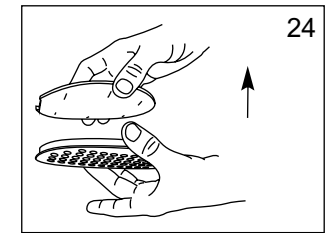
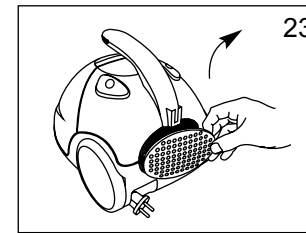
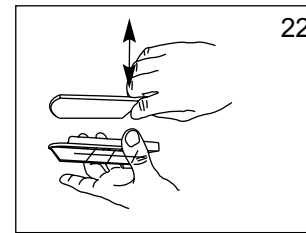
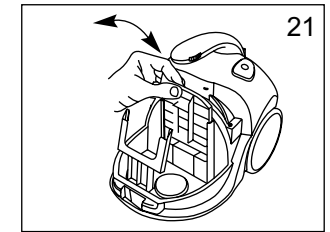
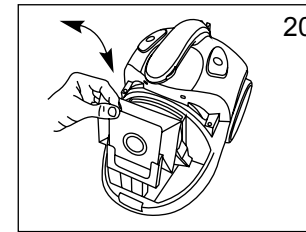
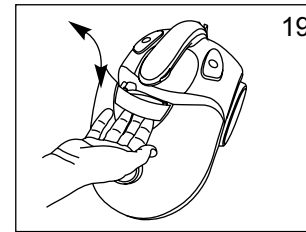
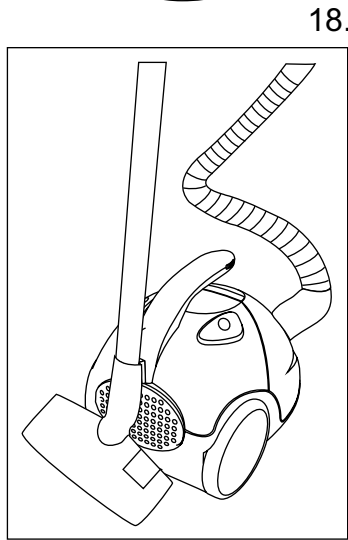
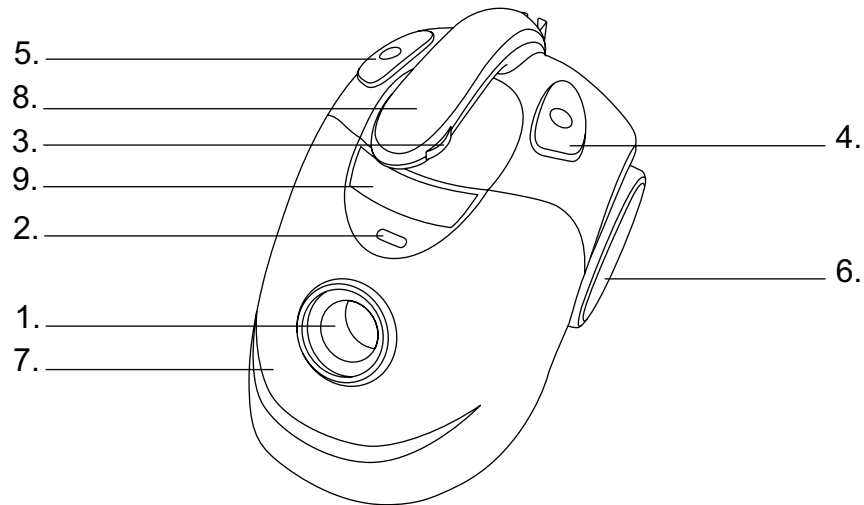
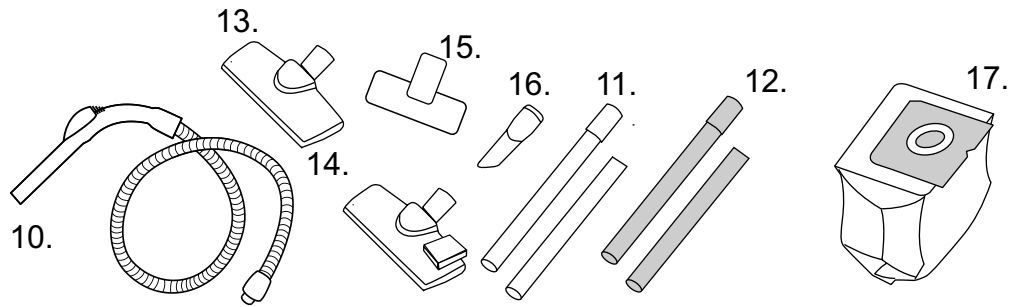


 **Electrolux**

Website: www.electrolux.com

0009 02 01 02

ILLUSTRATION



ELECTRICAL SUPPLY

Before you start ... check the voltage

Before connecting the cleaner to an electrical supply ensure that voltage marked on the data plate (beneath the cleaner) is correct for your electrical supply. If it is not, do not use the cleaner but refer back to your dealer.

Connecting to your electrical supply

Permanently connected to the cleaner is a mains supply (2-core) cable fitted with a non-rewirable plug incorporating a 13A fuse. In the event of the fuse requiring replacement the fuse cover should be removed using a small screwdriver. The old fuse **MUST** be replaced by a 13A ASTA approved BS1362 fuse and the fuse cover must be replaced before the plug is used again. In the event of loss of the fuse cover, replacements can be obtained from your Electrolux dealer or Electricity Board and must be of the same colour as indicated by the coloured insert on the base plug.

If difficulty is experienced in obtaining a replacement, contact your nearest Electrolux Service Centre.

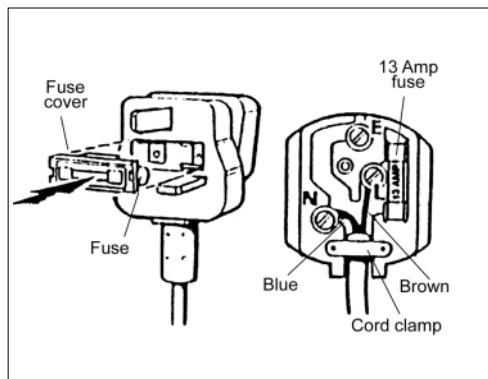
In no circumstances must be plug be used without a correct fuse cover fitted.

If the plug that is fitted to your appliance is not suitable for your socket outlet, it must be cut off and the appropriate plug fitted. Remove the fuse from the cut off plug. The cut off plug should then be disposed of to prevent hazard of shocks in case it should be plugged into a 13 Amp socket in another part of your home.

The wires in the mains cable of this appliance are coloured in accordance with the following code:

Blue: Neutral.
Brown: Live.

As the colours of the wires in the mains cable of this appliance may not correspond with the coloured markings identifying the terminals in your plug, proceed as follows:



The wire which is coloured blue must be connected to the terminal which marked with the letter N or coloured black.

The wire which is coloured brown must be connected to the terminal which is marked the letter L or coloured red.

If using a three-pin plug, do not make any connection to the terminal marked with the letter E or by the earth symbol \perp or coloured green or green-and-yellow. This cleaner is double insulated and no earth-connection is necessary.

It is in your interest to ensure that the plug is correctly attached to the mains cable. In case of doubt, consult a qualified electrician, as Electrolux cannot regard the repair of faults on the plug connection as a service that can be given free of charge under the terms of guarantee.

A general guide to fitting any plug:

- Ensure the lengths of wire inside the plug are prepared correctly.
- Connection should be firmly made after all conductor stands are entered into the terminal posts.
- When preparing the cable ends take care not to damage the outer seal, or insulation surrounding the inner conductors.
- Tighten all screws.
- Replace the top cover of the plug and secure.

IMPORTANT SAFEGUARDS

When using an electrical appliance, basic precautions should always be followed, including:

READ ALL THE INSTRUCTIONS BEFORE USING THIS VACUUM CLEANER.

WARNING

To reduce the risk of fire, electric shock, or injury:

- Do not use outdoors or on wet surfaces.
- Do not leave the vacuum cleaner whilst plugged in.
- Do not allow to be used as a toy. Close attention is necessary when used by or near children.
- Use only as described in this manual. Use only manufacturer's recommended attachments.
- Do not use with damaged cord or plug. If vacuum cleaner is not working as it should, has been dropped, damaged, left outdoors, or dropped into water, contact Electrolux Customer Services on 08706 055 055 before using.
- Do not pull or carry by cord, use cord as a handle, close door on cord. Keep cord away from heated surfaces.
- Do not use extension cords or outlets with inadequate current carrying capacity.
- Turn off all controls before unplugging.
- Do not unplug by pulling on cord. To unplug, grasp the plug not the cord.
- Do not handle plug or vacuum cleaner with wet hands.
- Do not put any object into openings. Do not use with any opening block, keep free of dust, lint, hair and anything that may reduce air flow.
- Do not use to pick up anything that is burning or smoking, such as cigarettes, matches or hot ashes.
- Do not use without dustbag in place.
- Use extra care when cleaning on stairs.
- Do not use to pick up flammable or combustible liquids such as gasoline, or use in areas where they may be present.
- Store your cleaner indoors in a cool, dry area.
- Keep your work area well lighted.
- Unplug electrical appliances before vacuuming them.

SAVE THESE INSTRUCTIONS

DESCRIPTION

- | | |
|--|--|
| 1. Suction inlet | 10. Hose |
| 2. Dustbag full indicator (model 2115) | 11. Plastic tubes (model 2105) |
| 3. Variable power control (model 2115) | 12. Metal tubes (model 2115) |
| 4. On/off switch | 13. Floor nozzle (model 2105) |
| 5. Cable rewind button | 14. Dual purpose floor nozzle (model 2115) |
| 6. Wheel | 15. Upholstery nozzle |
| 7. Dustbag compartment | 16. Crevice nozzle |
| 8. Carrying handle | 17. Dustbag |
| 9. Compartment open button | 18. Horizontal parking |

IMPORTANT SAFEGUARDS

- ▶ Read this instruction booklet carefully.
- ▶ Before using the appliance, check that the mains power voltage corresponds to the voltage shown on the rating plate.
- ▶ Do not switch the appliance on if it appears to be faulty in any way or it has a damaged cord or plug. Do not try to repair the appliance by yourself. For repairs or accessories, contact Electrolux Customer Services on 08706 055 055.
- ▶ Always remove the plug from the power socket when the appliance is not in use and before carrying out any cleaning or maintenance operations.
- ▶ Never leave the appliance unattended when it is switched on. Keep the appliance out of reach of children.
- ▶ This appliance is for domestic use only. Use as described in this instruction booklet.
- ▶ Do not pull the appliance by the cord. Do not unplug by pulling on the cord.
- ▶ Do not use appliance on wet surfaces or to vacuum liquids, mud, ash and burning cigarette butts. Do not vacuum up any highly flammable or explosive substances or gases.
- ▶ Do not unplug the vacuum cleaner with wet hands.
- ▶ Do not operate the vacuum cleaner too close to heaters and radiators, stoves etc.
- ▶ Before you start using the vacuum cleaner, please remove large or sharp objects from the floor to prevent damage to the cloth dustbag.

INSTRUCTIONS FOR USE

- ▶ Before placing into operation make certain that the filters are in the proper position.
- ▶ Before using the appliance, unwind a sufficient length of cable and insert the plug into the power socket. A YELLOW mark on the power cable shows the ideal cable length. Do not extend the cable beyond the RED mark.
- ▶ Press the ON/OFF button to switch the appliance on. It is advisable to set the power control to MIN before switching on the appliance (model 2115).
- ▶ To rewind the power cable, press the rewind button with foot, and guide the cable with hand to ensure that it does not whip causing damage.
- ▶ By moving the variable power control, the suction power can be adjusted. (model 2115).

MAINTENANCE

REPLACING THE DUSTBAG

- ▶ Always operate the cleaner with the dustbag installed.
- ▶ If you forget to attach the dustbag or attach it in the wrong manner, the dust cover may not close completely.
- ▶ After removing the flexible hose, open the front cover (**fig. 19**).
- ▶ Remove the support of the bag.
- ▶ Remove the dustbag and insert a new one (**fig. 20**).
- ▶ Close the cover by pressing down until it clicks (**fig. 19**).
- ▶ Dustbag reference number Electrolux E67.

REPLACING THE FILTERS

- ▶ The dustbag must be replaced if the window of the dustbag full indicator is completely red when the cleaner is operating at maximum power and the nozzle is raised from the floor.
- ▶ Filters should be replaced at least twice a year or when they become visibly soiled.
- ▶ Always operate the cleaner with filters installed to avoid reduced suction.
- ▶ Disconnect from electrical outlet before changing the filters.
- ▶ Do not use a washing machine to rinse filters.
- ▶ Pull dustbag upward and remove the motor protection filter with grill (**fig. 21**).
- ▶ Remove the filter from the grill (**fig. 22**).
- ▶ Place a new filter into the grill and put it back into the cleaner.
- ▶ Open the filter grill to remove the exhaust filter (**fig. 23**).
- ▶ Take the filter out of the grill (**fig. 24**).
- ▶ Place a new exhaust filter into the filter grill (**fig. 25**).
- ▶ Close the filter grill (**fig. 26**).

PROTECTING THE ENVIRONMENT

- ▶ Attempt to recycle packaging material and old appliances.
- ▶ The cardboard packaging can be placed in the waste paper collection.
- ▶ Deposit the plastic bag made of polyethylene (PE) at the PE collection point for recycling.
- ▶ **Recycling the Appliance at the end of its life:**
- ▶ The plastic components all carry a material identification marking so that, like the other materials, they can be recycled at the end of the life of the appliance.
- ▶ Please inquire with your local authority.
- ▶ **Blocked air flow and dirty filters:**
- ▶ The cleaner stops automatically if a blockage occurs in the nozzle/tube/hose or if the filters are blocked with dirt.
- ▶ Disconnect from mains and allow the cleaner to cool for 20-30 minutes. Remove blockage and/or clean filters.
- ▶ Restart the cleaner.